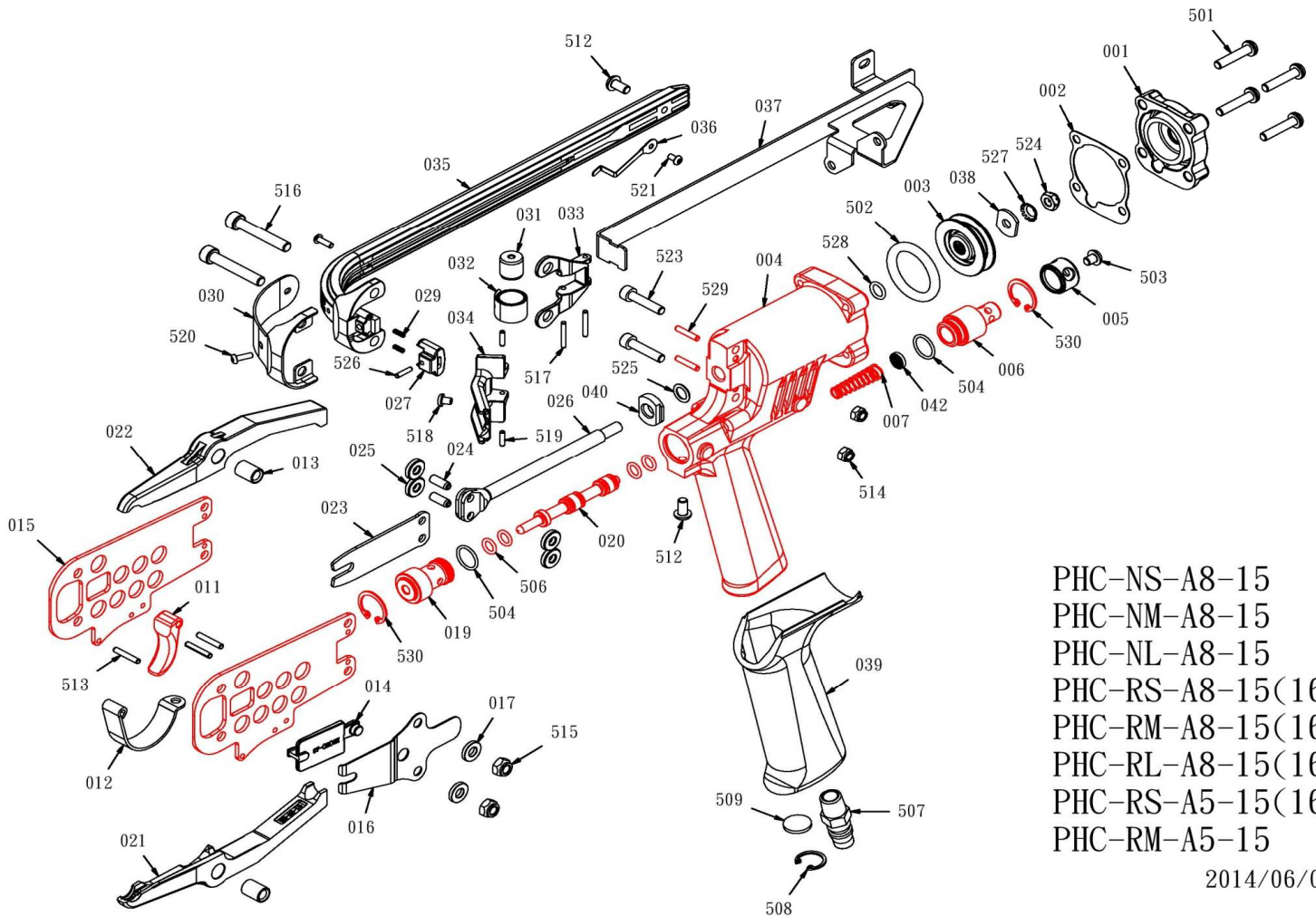


## DESPIECE DE LA HERRAMIENTA

Usted encontrará con un círculo las piezas de desgaste recomendadas para mantener en stock.



- PHC-NS-A8-15
- PHC-NM-A8-15
- PHC-NL-A8-15
- PHC-RS-A8-15(16)
- PHC-RM-A8-15(16)
- PHC-RL-A8-15(16)
- PHC-RS-A5-15(16)
- PHC-RM-A5-15

2014/06/03

**032 Resorte**  
**016 Spring Latch**  
**003 Pistón**

**Kit: un resorte (038), un Spring Latch (016),  
un Pistón (003)**

**LISTA DE PARTES**  
**MODELO: PHC-RM, PHC-RL, PHC-RS**

Item	Part No.	Description	Q'ty	Specification	Sustituye a:	Precio
001	A08600102	CAP	1		A08600101	\$ 396.07
002	A08600201	PACKING	1			\$ 53.35
003	A08600301	PISTON	1	(N)RM,(N)RS		\$ 367.78
003	A10100801	PISTON	1	(N)RL		\$ 367.78
003	A10500901	PISTON	1	(N) PHC-RS-A5 (16)		\$ 367.78
003	A13000401	PISTON	1	RM-A5-15		\$ 367.78
004	A08600405	BODY	1		A08600402	\$ 6,772.78
005	A08602701	DEFLECTOR	1			\$ 221.48
006	A08602603	SEAT REAR VALVE	1		A08602602	\$ 354.85
007	A08602502	SPRING	1		A08602501	\$ 20.21
008						
009						
010						
011	A08603402	TRIGGER	1			\$ 269.97
012	A08601201	GUARD TRIGGER	1			\$ 51.73
013	A08601302	BUSHING	2			\$ 101.85
014	A08600901	LATCH	1	(N)RM		\$ 135.80
014	A09500301	LATCH	1	(N)RL		\$ 143.88
014	A10500701	LATCH	1	(N)RS-A8 / A5		\$ 151.15
015	A08601002	SIDE PLATE	2		A08601001	\$ 244.11
016	A08601102	SPRING LATCH	1	(N)RM	A08601101	\$ 72.75
016	A09500403	SPRING LATCH		(N)RL	A09500402	\$ 72.75
016	A09800503	SPRING LATCH	1	(N)RS,(N)RS-A5	A09800501	\$ 72.75
017	A08603601	WASHER	2			\$ 13.27
018						
019	A08602902	SEAT, FRONT VALVE	1		A08602901	\$ 416.28
020	A08605701	SPACER	1		A08602801	\$ 133.37
021	A08600701	JAW, LOWER	1	RM-A8-15		\$ 1,065.34
021	A09800101	JAW, LOWER	1	PHC-RS		\$ 1,049.99
021	A10100101	JAW, LOWER	1	PHC-RL		\$ 1,089.59
021	A10500101	JAW, LOWER	1	PHC-RS-A5		\$ 1,092.02
021	A08604701	JAW, LOWER	1	RM-A8-16		\$ 1,065.34
021	A09800601	JAW, LOWER	1	RS-A8-16		\$ 1,049.99
021	A10100301	JAW, LOWER	1	RL-A8-16		\$ 1,089.59
021	A10501001	JAW, LOWER	1	RS-A5-16		\$ 1,092.02
021	A09500101	JAW, LOWER	1	NL-A8-15		\$ 1,065.34
021	A10000101	JAW, LOWER	1	NM-A8-15		\$ 1,065.34
021	A09900101	JAW, LOWER	1	NS-A8-15		\$ 1,065.34
021	A13000201	JAW, LOWER	1	RM-A5-15		\$ 1,092.02
022	A08600801	JAW, UPPER	1	PHC-RM		\$ 1,065.34
022	A09800201	JAW, UPPER	1	PHC-RS		\$ 1,049.99
022	A10100201	JAW, UPPER	1	PHC-RL		\$ 1,089.59
022	A10500201	JAW, UPPER	1	PHC-RS-A5		\$ 1,092.02
022	A08604801	JAW, UPPER	1	RM-A8-16		\$ 1,065.34
022	A09800701	JAW, UPPER	1	RS-A8-16		\$ 1,049.99
022	A10100401	JAW, UPPER	1	RL-A8-16		\$ 1,089.59
022	A10501101	JAW, UPPER	1	RS-A5-16		\$ 1,092.02
022	A09500201	JAW, UPPER	1	NL-A8-15		\$ 1,065.34
022	A10000201	JAW, UPPER	1	NM-A8-15		\$ 1,065.34
022	A09900201	JAW, UPPER	1	NS-A8-15		\$ 1,065.34
022	A13000301	JAW, UPPER	1	RM-A5-15		\$ 1,092.02
023	A08600601	BLADE	1	(N)RM-A8-15		\$ 234.41
023	A09500501	BLADE	1	(N)RL-A8-15		\$ 235.22
023	A09800301	BLADE	1	(N)RS-A8-15		\$ 180.25
023	A10500601	BLADE	1	(N)RS-A5-15		\$ 172.17
023	A08604901	BLADE	1	(N)RM-A8-16		\$ 234.41

Item	Part No.	Description	Q'ty	Specification	Sustituye a:	Precio
023	A10100501	BLADE	1	(N)RL-A8-16		\$ 235.22
023	A09800801	BLADE	1	(N)RS-A8-16		\$ 180.25
023	A10501201	BLADE	1	(N)RS-A5-16		\$ 172.17
023	A13000101	BLADE	1	RM-A5-15		\$ 234.41
024	A08603801	PIN	2			\$ 60.62
025	A08603501	ROLLER	4			\$ 101.85
025	A10500301	ROLLER	4	PHC-RS-A5		\$ 186.72
026	A08600501	PISTON ROD	1	A8-15		\$ 2,039.35
026	A08605101	PISTON ROD	1	A8-16		\$ 2,039.35
026	A10500401	PISTON ROD	1	A5-15		\$ 2,039.35
026	A10501301	PISTON ROD	1	A5-16		\$ 2,039.35
027	A08601801	SHOE, MAGAZINE	1			\$ 164.09
028						
029	A08603101	SPRING	2			\$ 13.27
030	A08602101	GUARD	1			\$ 152.77
031	A08602301	ROLLER	1			\$ 30.72
032	A08602201	SPRING	1			\$ 74.36
033	A08601701	BRACKET	1			\$ 221.48
034	A08601602	PUSHER	1		A08601601	\$ 497.11
035	A08602001@	MAGAZINE BODY	1			\$ 608.65
036	A08602401	CLIP	1			\$ 33.95
037	A08601401@	RAIL	1			\$ 503.57
038	A08604201	WASHER	1			\$ 13.27
039	A08604402	GRIP	1		A08604401	\$ 178.64
040	A10500501	BUMPER	1	(N)RS		\$ 36.37
040	A08605501	BUMPER	1	(N)RM		\$ 36.37
040	A09500601	BUMPER	1	(N)RL		\$ 36.37
041						
042	A08605401	SILENCER	1			\$ 32.33
501	BAC2105252	HEX. SOC. BUTTOM HD. CAP	4	M5x0.8-25		\$ 13.27
502	BAB053279	O-RING	1	ψ5.33 x ψ27.94		\$ 30.72
503	BAC0905062	HEX. SOC. BUTTOM HD. CAP	1	M5x0.8-10	BAC0905102	\$ 13.27
504	BAB015130	O-RING	2	φ1.5xφ13	BAB017108	\$ 13.27
505						
506	BAB017067	O-RING	4	ψ1.78x ψ7.94	BAB017079	\$ 13.27
507	A00100802	AIR PLUG	1			\$ 43.65
508	BAF21602	C-RING	1	ψ16		\$ 13.27
509	BAI1402	SILENCER	1	ψ15.4x2mm		\$ 44.46
510						
511						
512	BAC0905102	HEX. SOC BUTTOM	1	M5x0.8-10		\$ 13.27
513	BAA030018	SPRING PIN	3	ψ3-18		\$ 13.27
514	BAD01051	LOCK NUT	2	M5		\$ 13.27
515	BAD01061	LOCK NUT	2	M6		\$ 13.27
516	A08604002	HEX. SOC. HD. BOLT	2	M6x1-37	A08604001	\$ 61.43
517	BAA025018	SPRING PIN	2	ψ2.5-18		\$ 13.27
518	BAC0904052	HEX. SOC BUTTOM	1	M4x.7-5		\$ 13.27
519	BAA025010	SPRING PIN	2	ψ2.5-10		\$ 13.27
520	BAC0903104	HEX. SOC BUTTOM	2	M3x..5-10		\$ 13.27
521	BAC0903064	HEX. SOC BUTTOM	1	M3x..5-6		\$ 13.27
522						
523	A08604101	HEX. SOC. HD. BOLT	2	M5x..8-23.5		\$ 38.80
524	A08604501	LOCK NUT	1	M6x1		\$ 38.80
525	BAB019078	O-RING	1	ψ1.xψ7.8		\$ 13.27
526	BAA025012	SPRING PIN	1	ψ2.5-12	BAA025011	\$ 13.27
527	BAE02062	TOOTHED LOCK WASHER-EXTERNAL	1	φ6.4		\$ 13.27
528	BAB017076	O-RING	1	φ1.78xφ7.65		\$ 13.27
529	BAA030016	SPRING PIN	2	ψ3-16		\$ 13.27
530	BAF22002	C-RING	2	ψ20		\$ 13.27

\* Precios en moneda nacional

\*Precios no incluyen IVA