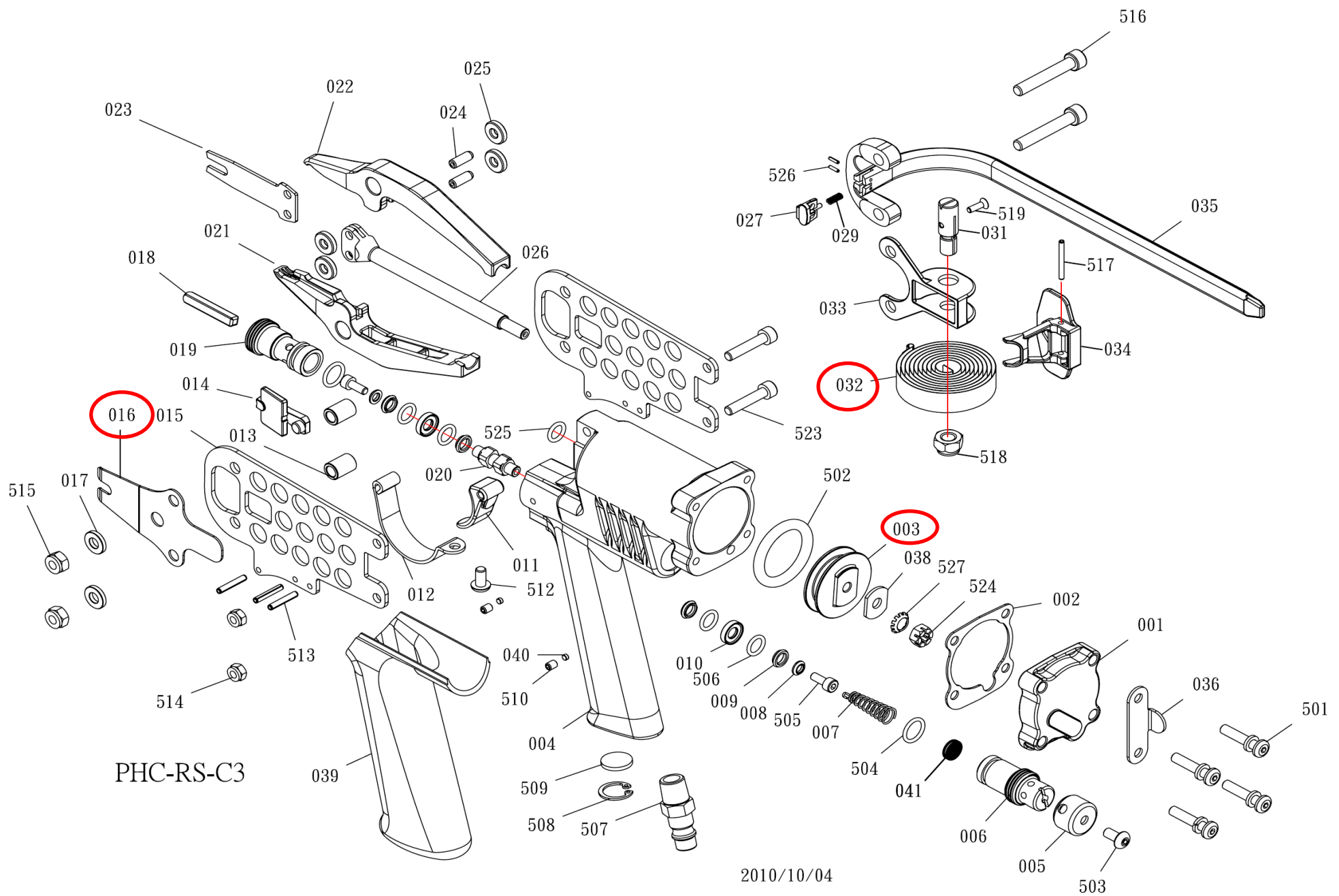


DESPIECE DE LA HERRAMIENTA

Usted encontrará con un círculo las piezas de desgaste recomendadas para mantener en stock.



032 Resorte
016 Spring Latch
003 Pistón

**Kit: un resorte (038), un Spring Latch (016),
un Pistón (003)**

LISTA DE PARTES
MODELO: PHC-RS-C3-16

Item	Part No.	Description	Q'ty	Specification	P. Lista
001	A08600101	CAP	1		396.07
002	A08600201	PACKING	1		53.35
003	A10601102	PISTON	1		367.78
004	A08600402A	BODY UNIT	1		6,772.78
005	A08602701	DEFLECTOR	1		221.48
006	A08602602	SEAT, REAR VALVE	1		354.85
007	A08602501	SPRING	1		20.21
008	A08603701	WASHER	2		34.76
009	A08603201	SUPPORT, O-RING END	4		37.18
010	A08603301	SUPPORT, O-RING CENTER	2		46.88
011	A08603401	TRIGGER	1		269.97
012	A08601201	GUARD, TRIGGER	1		51.73
013	A08601302	BUSHING	2		101.85
014	A10601201	LATCH	1		135.80
015	A08601001	SIDE PLATE	2		244.11
016	A09800503	SPRING, LATCH	1		72.75
017	A08603601	WASHER	2		13.27
018	A08603001	STEM, THROTTLE	1		38.80
019	A08602901	SEAT, FRONT VALVE	1		416.28
020	A08602801	SPACER	1		133.37
021	A10600901	JAW, LOWER	1	DESCONTINUADA	1,065.34
021	A10601601	JAW, LOWER	1	16.4/16.7mm(RSC3)	1,065.34
021	A10601401	JAW, LOWER	1	RS-C3-145	1,065.34
022	A10601701	JAW, UPPER	1	16.4/16.7mm(RSC3)	1,065.34
022	A10601501	JAW, UPPER	1	RS-C3-145	1,065.34
022	A10601001	JAW, UPPER	1	DESCONTINUADA	1,065.34
023	A10600203	BLADE	1	16.4/16.7mm(RSC3)	234.41
023	A10601301	BLADE	1	RS-C3-145	234.41
024	A08603801	PIN	2		60.62
025	A08603501	ROLLER	4		101.85
026	A08605101	PISTON ROD	1		2,039.35
027	A10600701	SHOE,MAGAZINE	1		164.09
029	A10600801	SPRING	1		13.27
031	A10400401	ROD	1		282.91
032	A10400501	SPRING	1		404.15
033	A10600301	BRACKET	1		257.04

Item	Part No.	Description	Q'ty	Specification	P. Lista
034	A10600401	PUSHER	1		218.24
035	A10600601	MAGAZINE	1		1,939.93
036	A10600101	BRACKET	1		31.52
038	A08604201	WASHER	1		13.27
039	A08604402	GRIP	1		178.64
040	A08605001	PLASTIC PIN	2		13.27
041	A08605401	SILENCER	1	0.5g	32.33
042	A10500501	BUMPER	1		36.37
501	BAC2105252	HEX.SOC.BOTTOM HD. CAP SCREW	4	M5x0.8-25	13.27
502	BAB053279	O-RING	1	φ5.33xφ27.94	30.72
503	BAC0905062	HEX.SOC.BOTTOM HD. CAP SCREW	1	M5x0.8-6	13.27
504	BAB015130	O-RING	2	φ1.5xφ13	13.27
505	BAC0404102	HEX.SOC.HD.BOLT	2	M4x0.7-10	13.27
506	BAB017079	O-RING	4	φ1.78xφ7.94	13.27
507	A00100801	AIR PLUG	1	Japanese Type	43.65
507	A00100802	AIR PLUG	1	U.S.A. Type	43.65
507	A00100803	AIR PLUG	1	European Type	43.65
508	BAF21602	C-RING	1	φ16	13.27
509	BAI1402	SILENCER	1	φ15.4x2mm	44.46
510	BAC0304052	HEX.SOC.HDLESS.BOLT	2	M4x0.7-5	13.27
512	BAC0905102	HEX.SOC.BOTTOM HD. CAP SCREW	1	M5x0.8-10	13.27
513	BAA030018	SPRING PIN	3	φ3-18	13.27
514	BAD01051	LOCK NUT	2	M5	13.27
515	BAD01061	LOCK NUT	2	M6	13.27
516	A08604002	HEX.SOC.HD.BOLT	2	M6x1-37	61.43
517	BAA025024	SPRING PIN	1	φ2.5-24	13.27
518	BAD02081	LOCK NUT	1	M8x1.25	13.27
519	BAC0203102	HEX.SOC.FLAT COUNTER	1	M3x0.5-10	13.27
523	A08604101	HEX.SOC.HD.BOLT	2	M5x0.8-23.5	38.80
524	A08604501	LOCK NUT	1	M6X1	38.80
525	BAB019078	O-RING	1	φ1.9xφ7.8	13.27
526	BAA015006	SPRING PIN	1	φ1.5-6	13.27
527	BAE02062	Toothed lock washer-external	1	M6	13.27
528	BAB017076	O-RING	1	φ1.78xφ7.65	13.27

* Precios en moneda nacional

PHC