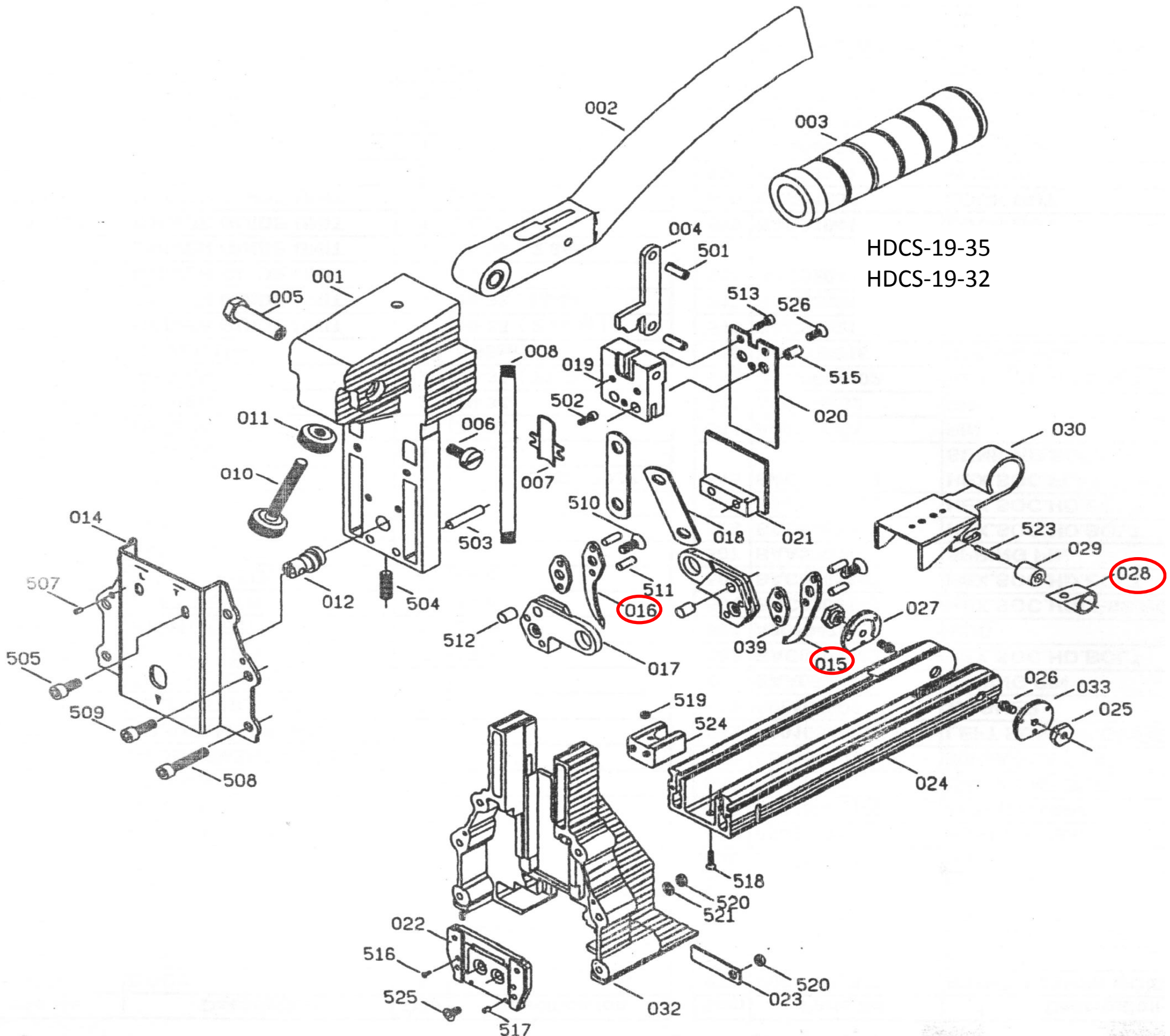


DESPIECE DE LA HERRAMIENTA

Usted encontrará con un círculo las piezas de desgaste recomendadas para mantener en stock.



015: Cuchilla Izquierda

016: Cuchilla Derecha

028: Resorte Empujador

Kit: Una cuchilla izquierda , una cuchilla derecha y un resorte empujador

LISTA DE PARTES

MODELO: HDCS

Item	Part No.	Description	Q'ty	Specification	P. Lista	Item	Part No.	Description	Q'ty	Specification	P. Lista
001	A00300109	BODY	1		976.43	028	A00103401	SPRING	1		101.85
002	A00300201	HANDLE	1		278.06	029	A00103501	ROLLER	1		28.29
003	A00300301	HANDLE GLEEVE	1		232.79	030	A00103707@	PUSHER UNIT	1	35	286.14
004	A01103001	LINK	1		51.73	030	A00103706@	PUSHER UNIT	1	32	286.14
005	A00300501	PIVOT PIN	1		45.27	030	A00103708@	PUSHER UNIT	1	34	286.14
006	A00300601	PIVOT SCREW	1		29.10	032	A00103804	MAGAZINE SEAT	1		382.33
007	A01102801	COVER	1		29.10	033	A00103904@	LEFT PUSHER GUIDE	1		44.46
008	A01102901	SPRING	1		30.72	039	A00105001	WASHER	2		26.67
010	A00301001	ADJUSTMENT SCREW	1		51.73	501	BAA050020	SPRING PIN	2	∅5-20	13.27
011	A00301101	ADJUSTMENT NUT	1		38.80	502	BAC0404082	HEX.SOC.HD.BOLT	2	M4 x 0.7-8	13.27
012	A00101801	ADJUSTING ROD	1		227.13	503	A00104701	ROD	2	∅4.9-23	13.74
014	A00302201	FRONT PLATE	1		189.95	504	BAC0306142	HEX.SOC.HDLESS.BOLT	1	M6 x 1-14	13.27
015	A00102102	RIGHT TEETH	1		87.30	505	BAC0605102	HEX.SOC.HD.BOLT	2	M5 x 0.8-10	13.27
016	A00102202	LEFT TEETH	1		87.30	507	BAA030010	SPRING PIN	2	∅3-10	13.27
017	A00102301	TEETH SEAT	2		246.53	508	BAC0405502	HEX.SOC.HD.BOLT	2	M5 x 0.8-50	13.27
018	A00102401	PLATE	2		29.91	509	BAC0405302	HEX.SOC.HD.BOLT	4	M5 x 0.8-30	13.27
019	A00301901	BLOCK	1		246.53	510	BAC0205122	HEX.SOC.FLAT COUNTER	2	M5 x 0.8-12	13.27
020	A00102605	DRIVER	1	35	152.77	511	A00104501	PIN	4	∅3.98-13	13.74
020	A01201701	DRIVER	1	32	152.77	512	A00104602	PIN	2	∅6.05-8	14.55
021	A00102702@	COVER UNIT	1	8.6mm	169.74	513	BAC0604102	HEX.SOC.HD.BOLT	2	M4 x 0.7-10	13.27
022	A00102802P	DRIVER GUIDE UNIT	1	35	168.13	515	BAA060016	SPRING PIN	2	∅6-16	13.27
022	A00102803P	DRIVER GUIDE UNIT	1	32	168.13	516	BAC0102101	FLAT HD.SCREW	2	M2.6 x 0.45-10	13.27
022	A00102806P	DRIVER GUIDE UNIT	1	34	168.13	517	BAA020006	SPRING PIN	2	∅2-6	13.27
023	A00102901	PLATE	2		21.82	518	BAC0204202	HEX.SOC.FLAT COUNTER	1	M4 x 0.7-20	13.27
024	ADCS-19-35P7	MAGAZINE	1	35	1,492.13	519	BAD01041	LOCK NUT	2	M4 x 0.7	13.27
024	A00103008	MAGAZINE	1	32	1,267.42	520	BAD01051	LOCK NUT	6	M5 x 0.8	13.27
024	A00103005	MAGAZINE	1	34	1,267.42	521	BAE01052	SPRING WASHER	2	M5	13.27
025	A00103102	ROD UNT	2		33.95	523	BAA040016	SPRING PIN	1	∅4-16	13.27
026	A00103203	ROD	2		33.95	524	A00105601	BLOCK	1		139.84
027	A00103903@	RIGHT PUSHER GUIDE	1		44.46	525	BAC0205082	HEX.SOC.FLAT COUNTER	2	M5 x 0.8-8	13.27

*Precios en moneda nacional