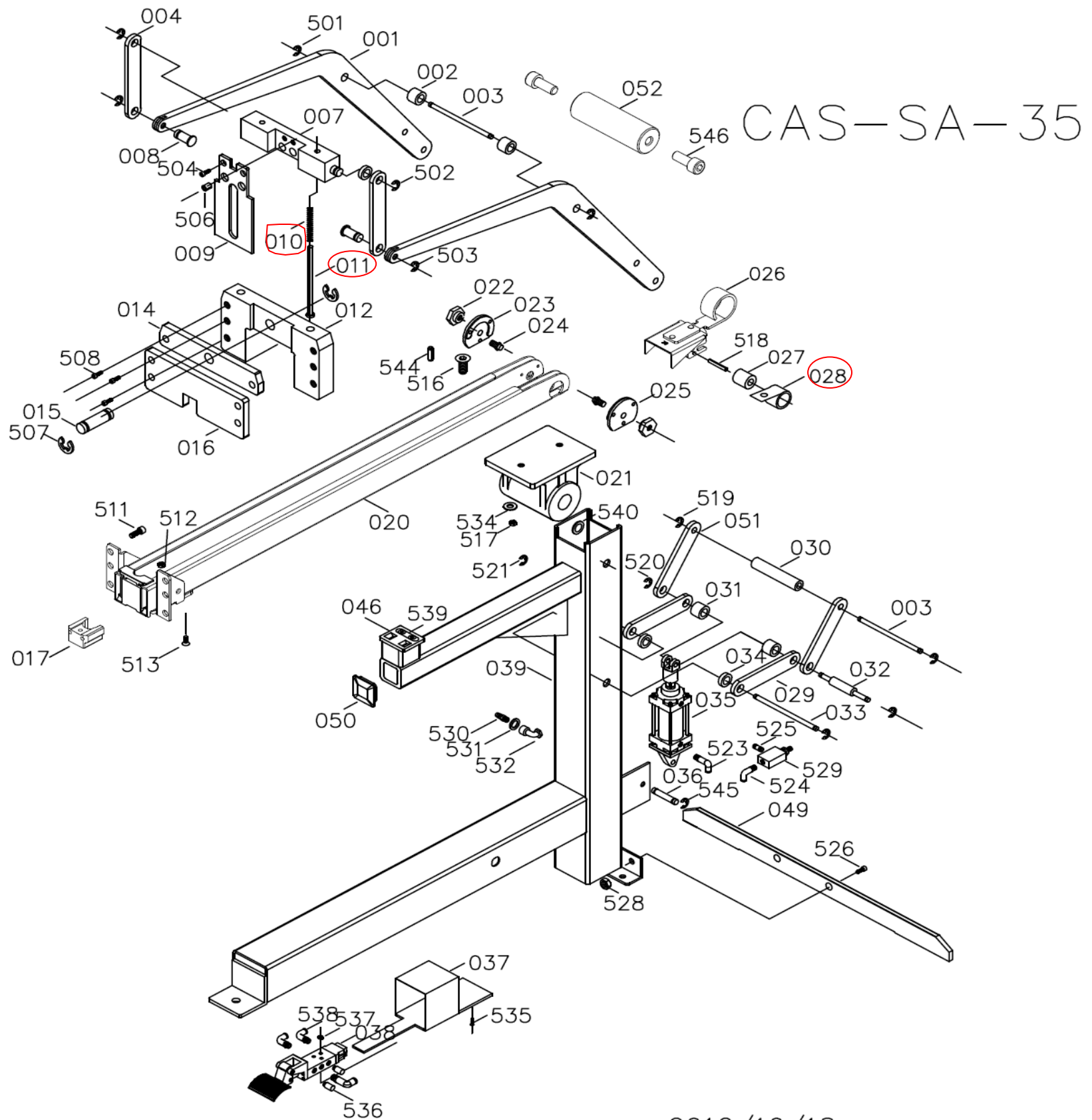


DESPIECE DE LA HERRAMIENTA

Usted encontrará con un círculo las piezas de desgaste recomendadas para mantener en stock.



2012/10/18

028 Resorte

011 Resorte

010 Resorte

KIT: 1 resorte (028), 2 resortes (011) y 2 resortes (010)

LISTA DE PARTES

MODELO: CAS-35

Item	Part No.	Description	Q'ty	Specification	P. Lista
001	A00600104	LINK 1	2	New	931.46
002	A00603401	TUBE	2		69.84
003	A00603201	SHAFT A	2		111.74
004	A00600401	LINK 2	2		46.27
007	A00600703	DRIVER SEAT	1		530.76
008	A00600801	SHAFT C	2		97.77
009	A00600904	DRIVER	1	35	279.35
009	A00600905	DRIVER	1	32	279.35
009	A00600906	DRIVER	1	34	279.35
010	A00601002	SPRING	2		27.93
011	A00601103@	SPRING SHAFT	2		132.69
012	A00601202	MAGAZINE SEAT	1	35	1,053.67
012	A00601203	MAGAZINE SEAT	1	32	1,053.67
012	A00601204	MAGAZINE SEAT	1	34	1,053.67
014	A00601405	COVER B	1	35	279.35
014	A00601403	COVER B	1	32	279.35
014	A00601404	COVER B	1	34	279.35
015	A00601502	SHAFT D	1		93.41
016	A00601605	COVER A	1	35	296.81
016	A00601603	COVER A	1	32	296.81
016	A00601604	COVER A	1	34	296.81
017	A00607501	BRACKET	1		151.02
020	CMB-S-35-P3-SA	MAGAZINE UNIT	1	35	2,389.31
020	CMB-S-32-P3-SA	MAGAZINE UNIT	1	32	2,389.31
021	A00602101	BRACKET	1		460.05
022	A00607101	NUT	2		36.66
023	A00103903@	RIGHT PUSHER GUIDE	1		48.01
024	A00103203	ROD	2		36.66
025	A00103904@	LEFT PUSHER GUIDE	1		48.01
026	A00103709@	PUSHER SET	1	35	309.03
026	A00103710@	PUSHER SET	1	32	309.03
027	A00103501	ROLLER	1		30.55
028	A00602801	SPRING	1		167.61
029	A00602901	LINK 3	4		104.76
030	A00603002	TUBE	1		174.59
031	A00603701	TUBE	2		104.76
032	A00603202	SHAFT E	1		111.74
033	A00603302	SHAFT F	1		97.77
034	A00603402	TUBE	2		48.89
035	BAI0104A	LINK 4 SET	1	φ80, S=75mm	6,235.61
036	A00700601	SHAFT M	1		165.86
037	A00700302@	SWITCH COVER UNIT	1		901.78
038	BAI0302	SPRING	1		1,745.94
039	A00603905@	BODY SET	1	New	7,184.53
044	A00604402@	STEP BOARD SET	1		2,313.37

Item	Part No.	Description	Q'ty	Specification	P. Lista
046	A00604607	MOLD	1	35 , 34 ,9040 , 7437	209.51
049	A00604901	BALANCER	1		567.43
050	A00800301	COVER	1		209.51
051	A00602903	LINK 3 -C	2	New	104.76
052	A00608201	SHAFT	1		233.08
501	BAF11002	E-RING	2	ψ10	14.33
502	BAF10502	E-RING	2	ψ5	14.33
503	BAF10502	E-RING	2	ψ5	14.33
504	BAC0604102	HEX.SOC.HD.BOLT	2	M4 x 0.7-10	14.33
506	BAA060016	SPRING PIN	2	ψ6-16	14.33
507	BAF10602	E-RING	2	ψ6	14.33
508	BAC0605102	HEX.SOC.HD.BOLT	6	M5 x 0.8-10	14.33
511	BAC0605082	HEX. SOC. HD. BOLT	6	M5x0.8-8	14.33
512	BAD01041	LOCK NUT	1	M4 x 0.7	14.33
513	BAC0204222	HEX.SOC.FLAT COUNTER	1	M4 x 0.7-20	14.33
516	BAC0205162	HEX.SOC.FLAT COUNTER SUNK HD. SCREW	2	M5 x 0.8-16	14.33
517	BAD02051	LOCK NUT	2	M5 x0.8	14.33
518	BAA040016	SPRING PIN	1	ψ4-16	14.33
519	BAF11002	E-RING	2	ψ10	14.33
520	BAF11002	E-RING	2	ψ10	14.33
521	BAF11002	E-RING	2	ψ10	14.33
523	BAI0703	PU PLUG	1	3/8" x φ12-90°	52.38
524	BAI0703	PU PLUG	1	3/8" x φ12-90°	52.38
525	BAI1002	DOUBLE SCREW TUBE	1	3/8"x3/8"	67.22
526	BAC0408202	HEX.SOC.HD.BOLT	2	M8 x 1.25-20	14.33
528	BAD01081	LOCK NUT	2	M8 x 1.25	14.33
529	BAI1102	QUICK EXHAUST	1	3/8"	864.24
530	A00100801	AIR PLUG	1	Japanese Type	47.14
530	A00100802	AIR PLUG	1	U.S.A. Type	47.14
530	A00100803	AIR PLUG	1	European Type	47.14
531	BAE01122	SPRING WASHER	1	φ12	14.33
532	BAI1203	PU PLUG	1	THREAD 1/4" xφ12-90°	203.40
534	BAE01052	WASHER	2	φ5	14.33
535	BAC050012	FLAT HEAD SCREW	3	3/16" UNC	14.33
536	BAI0503	DEFLECTOR	2	3/8"	55.87
537	BAD03012	NUT	3	3/16" NUC	14.33
538	BAI0703	PU PLUG	3	3/8" x φ12-90°	52.38
539	BAC0904082	HEX.SOC.ROUND.HD.S CREW	2	M4 x 0.7-0.8	14.33
540	BAE03142	WAVE WASHER	2	φ14.5 xφ21	14.33
541	BAI0803	TUBE	2	φ8 xφ12x130 CM	320.38
542	BAI0804	TUBE	1	φ8 xφ12x145CM	349.19
543	BAI0805	TUBE	1	φ8 xφ12x120CM	378.00
544	BAA040008	SPRING PIN	4	φ4 x 8	14.33
545	BAF11502	E-RING	2	φ15	14.33
546	BAC0608202	HEX.SOC.HD.BOLT	2	M8 x 1.25-20	14.33