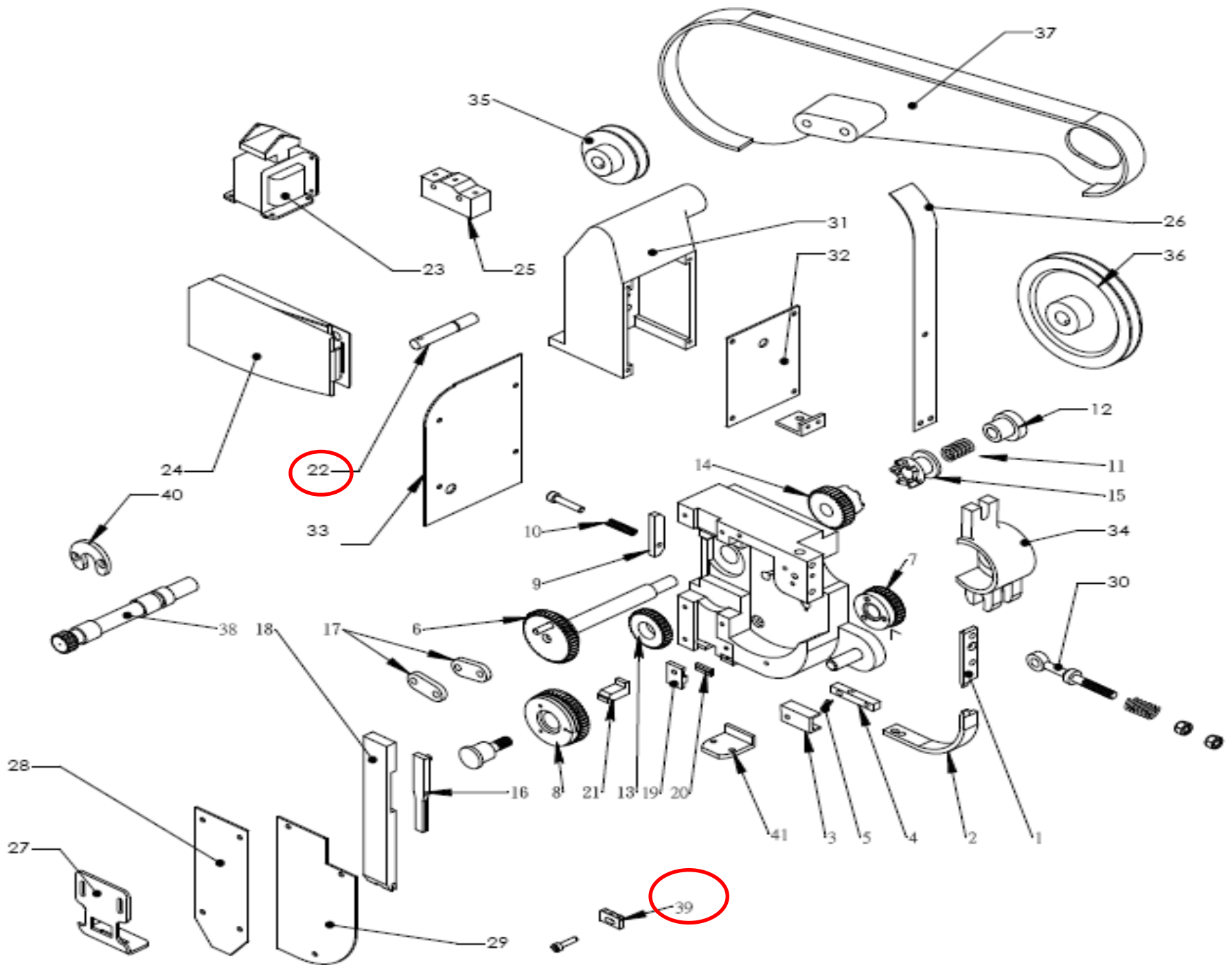


## DESPIECE DE LA HERRAMIENTA

Usted encontrará con un círculo las piezas de desgaste recomendadas para mantener en stock.



022 Clutch controler  
039 Clincher

KIT: Un clutch controler y un clincher

**LISTA DE PARTES**  
**MODELO: JB-5**

Item	Part No.	Description	Q'ty	Specification	P. Lista
1	01-abr	UPPER WIRE GUIDE	1		1,309.45
2	1-5	LOWER WIRE TUBE	1		2,424.91
3	2-1	ONE WAY BLOCK	1		808.30
4	2-2	ONE WAY BLOCK	1		606.23
5	2-3	ONE WAY BLOCK	1		202.08
6	3-1	CRANK SHAFT	1		6,062.28
7	3-2	SMALL FEEDING GEAR	1		2,020.76
8	3-3	LARGE FEEDING GEAR	1		3,233.22
9	3-4	POSITION BAR	1		606.23
10	3-5	SPRING FOR 3-4	1		121.25
11	3-6	SPRING FOR CLUTCH	1		161.66
12	3-7	SPRING STOPPER	1		1,212.46
13	3-8	GEAR	1		808.30
14	5-1	SLIDE GEAR	1		2,424.91
15	5-2	CLUTCH	1		1,616.61
16	5-3	DRIVER	1		1,414.53
17	5-4	CRANK ROD	2		606.23
18	5-5	BENDER	1		6,870.58
19	6-1	CUTTER COVER	1		1,212.46
20	6-2	FLAT CUTTER	1		808.30
21	6-4	FORMER	1		1,616.61
22	7-3	CLUTCH CONTROLLER	1		808.30
23	7-4	SOLENOID	1		3,031.14
24	7-5	FOO SWITCH	1		2,424.91
25	7-6	MICRO SWITCH	1		808.30
26	8-8	WIRE GUIDE	1		1,212.46
27	8-3	FINGER GUARD	1		1,010.38
28	8-4	COVER	1		1,010.38
29	8-5	COVER	1		1,010.38
30	10-5	CASTING CLAMP ASSY	1		-
31	9-1	SOLENOID HOUSING	1		4,041.52
32	9-2	COVER	1		1,010.38
33	8-6	COVER	1		-
34	9-5	S. FEED GEAR HOUSING	1		3,031.14
35	7-9	S. PULLY	1		1,212.46
36	7-8	L. PULLY	1		1,616.61
37	8-1	SAFETY COVER	1		-
38	4-1	MAIN SHAFT	1		2,829.06
39	6-5	CLINCHER	1		1,212.46
40	8-2	MAIN SHAFT FORKER	1		1,212.46
41	6-6	FORMER COVER	1		808.30

\* Precios en moneda nacional