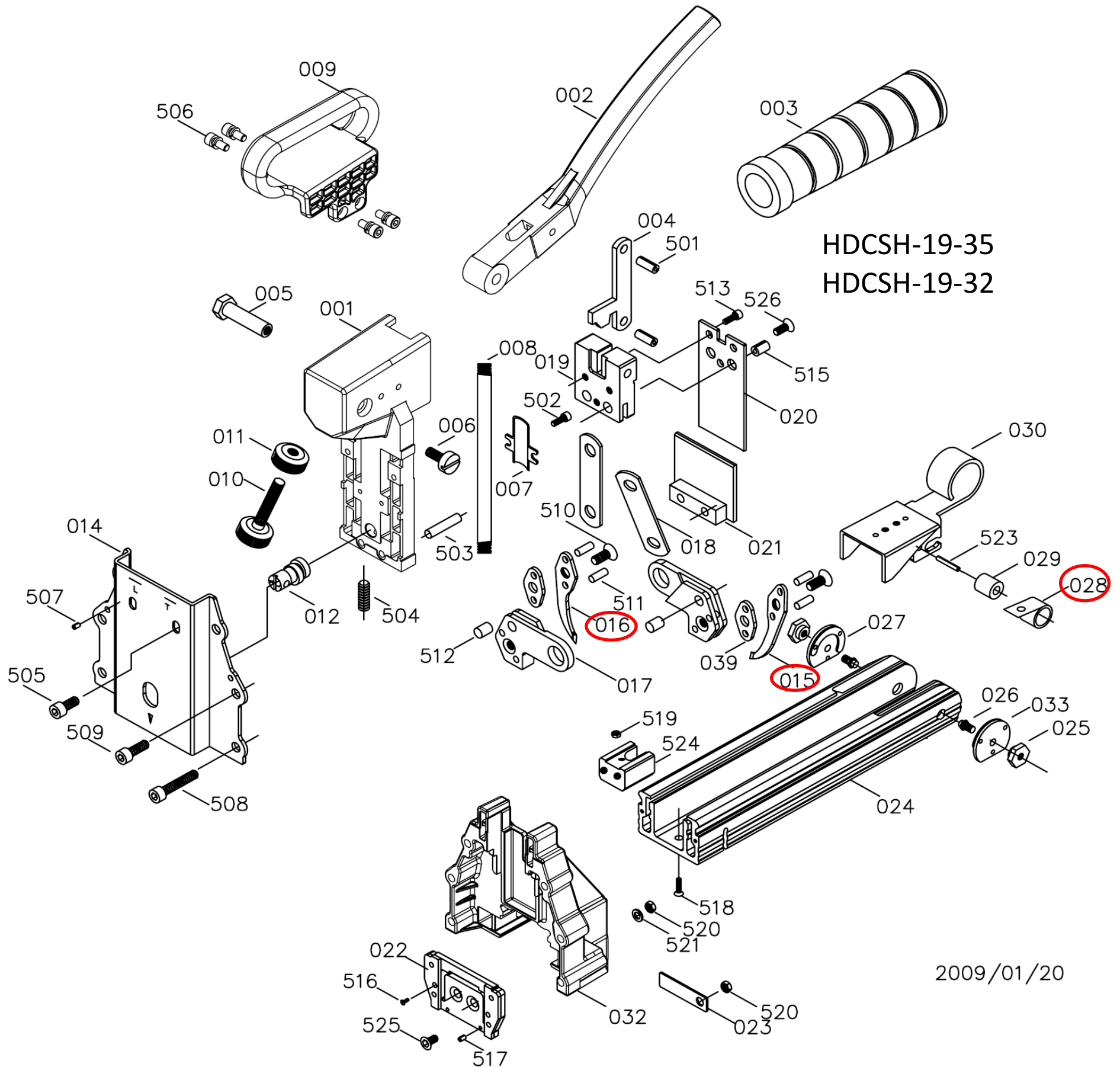


## DESPIECE DE LA HERRAMIENTA

Usted encontrará con un círculo las piezas de desgaste recomendadas para mantener en stock.



**015: Cuchilla Izquierda**

**016: Cuchilla Derecha**

**028: Resorte Empujador**

**Kit:** Una cuchilla izquierda , una cuchilla derecha y un resorte empujador

**LISTA DE PARTES**  
**MODELO: HDCSH**

Item	Part No.	Description	Q'ty	Specification	P. Lista
001	HAH-P22	BODY UNIT	1		769.08
002	A01102701	HANDLE	1		300.30
003	A00300301	HANDLE GLEEVE	1		251.41
004	A01103001	LINK	1		55.87
005	A00300501	PIVOT PIN	1		48.89
006	A00300601	PIVOT SCREW	1		31.43
007	A01102801	COVER	1		31.43
008	A01102901	SPRING	1		33.17
009	A02100501	HANDLE	1		130.95
010	A00301001	ADJUSTMENT SCREW	1		55.87
011	A00301101	ADJUSTMENT NUT	1		41.90
012	A00101801	ADJUSTING ROD	1		245.30
014	A00302201	FRONT PLATE	1		205.15
015	A00102102	RIGHT TEETH	1	19-35	94.28
015	A01200501	RIGHT TEETH	1	22-35	183.32
016	A00102202	LEFT TEETH	1	19-35	94.28
016	A01200601	LEFT TEETH	1	22-35	183.32
017	A00102301	TEETH SEAT	2		266.26
018	A00102401	PLATE	2		32.30
019	A00301902	BLOCK	1		266.26
020	A00102605	DRIVER	1	19-35 , 9040 , 7437	164.99
020	A01201706	DRIVER	1	19-32	164.99
020	A01201709	DRIVER	1	22-32	164.99
020	A00102606	DRIVER	1	19-34	164.99
020	A01201708	DRIVER	1	22-35 (71.2mm)	164.99
021	A00102702@	COVER UNIT	1	8.65mm	183.32
022	A01201101P	DRIVER GUIDE UNIT	1	19-35 (2.35mm)	181.58
022	A01201102P	DRIVER GUIDE UNIT	1	19-32 , 22-32	181.58
022	A00102806P	DRIVER GUIDE UNIT	1	19-34	181.58
022	A01201103P	DRIVER GUIDE UNIT	1	22-35 (2.3mm)	181.58
022	A01201105P	DRIVER GUIDE UNIT	1	7437	181.58
022	A01201106P	DRIVER GUIDE UNIT	1	9040	181.58
023	A00102901	PLATE	2		23.57
024	ADCS-19-35P7	MAGAZINE	1	19-35 , 22-35	1,611.50
024	A00103008	MAGAZINE	1	19-32 , 22-32	1,368.81
024	A00103005	MAGAZINE	1	19-34	1,368.81
024	A00103009	MAGAZINE	1	9040 , 7437	1,368.81

Item	Part No.	Description	Q'ty	Specification	P. Lista
025	A00103102	ROD UNT	2		36.66
026	A00103203	ROD	2		36.66
027	A00103903@	RIGHT PUSHER GUIDE	1		48.01
028	A00103401	SPRING	1		109.99
029	A00103501	ROLLER	1		30.55
030	A00103707@	PUSHER UNIT	1	19-35 , 22-35	309.03
030	A00103706@	PUSHER UNIT	1	19-32 , 22-32	309.03
030	A00103708@	PUSHER UNIT	1	19-34	309.03
030	A00103712@	PUSHER UNIT	1	7437	309.03
030	A00103713@	PUSHER UNIT	1	9040	309.03
032	A00302501	MAGAZINE SEAT	1		414.66
033	A00103904@	LEFT PUSHER GUIDE	1		48.01
039	A00105001	WASHER	2		28.81
501	BAA050020	SPRING PIN	2	ø5-20	14.33
502	BAC0404062	HEX.SOC.HD.BOLT	2	M4 x 0.7-6	14.33
503	A00104701	ROD	2	ø4.9-17.5	14.84
504	BAC0306142	HEX.SOC.HDLESS.BOLT	1	M6 x 1-14	14.33
505	BAC0605142	HEX.SOC.HD.BOLT	2	M5 x 0.8-14	14.33
506	BAC0605122	HEX.SOC.HD.BOLT	4	M5 x 0.8-12	14.33
507	BAA030010	SPRING PIN	4	ø3-10	14.33
508	BAC0405502	HEX.SOC.HD.BOLT	2	M5 x 0.8-50	14.33
509	BAC0405302	HEX.SOC.HD.BOLT	4	M5 x 0.8-30	14.33
510	A00106201	HEX.SOC.FLAT COUNTER SUNK HD.SCREW	2	M5 x 0.8-12	14.33
511	A00104501	PIN	4	ø3.98-13	14.84
512	A00104602	PIN	2	ø6.05-8	15.71
513	BAC0604102	HEX.SOC.HD.BOLT	2	M4 x 0.7-10	14.33
515	BAA060016-R	SPRING PIN	2	ø6-16	23.57
516	BAC0102101	FLAT HD.SCREW	2	M2.6 x 0.45-10	14.33
517	BAA020006	SPRING PIN	2	ø2-6	14.33
518	BAC0204202	HEX.SOC.FLAT COUNTER SUNK HD.SCREW	1	M4 x 0.7-20	14.33
519	BAD01041	LOCK NUT	1	M4 x 0.7	14.33
520	BAD01051	LOCK NUT	6	M5 x 0.8	14.33
521	BAE03051	WASHER	4	ø5.1x ø12x 0.8T	14.33
523	BAA040016	SPRING PIN	1	ø4-16	14.33
524	A00105601	BLOCK	1		151.02
525	BAC0204082	HEX.SOC.FLAT COUNTER SUNK	2	M4 x 0.7-8	14.33
526	BAC0204062	HEX.SOC.FLAT COUNTER SUNK	1	M4x0.7-6	14.33

\*Precios en moneda nacional