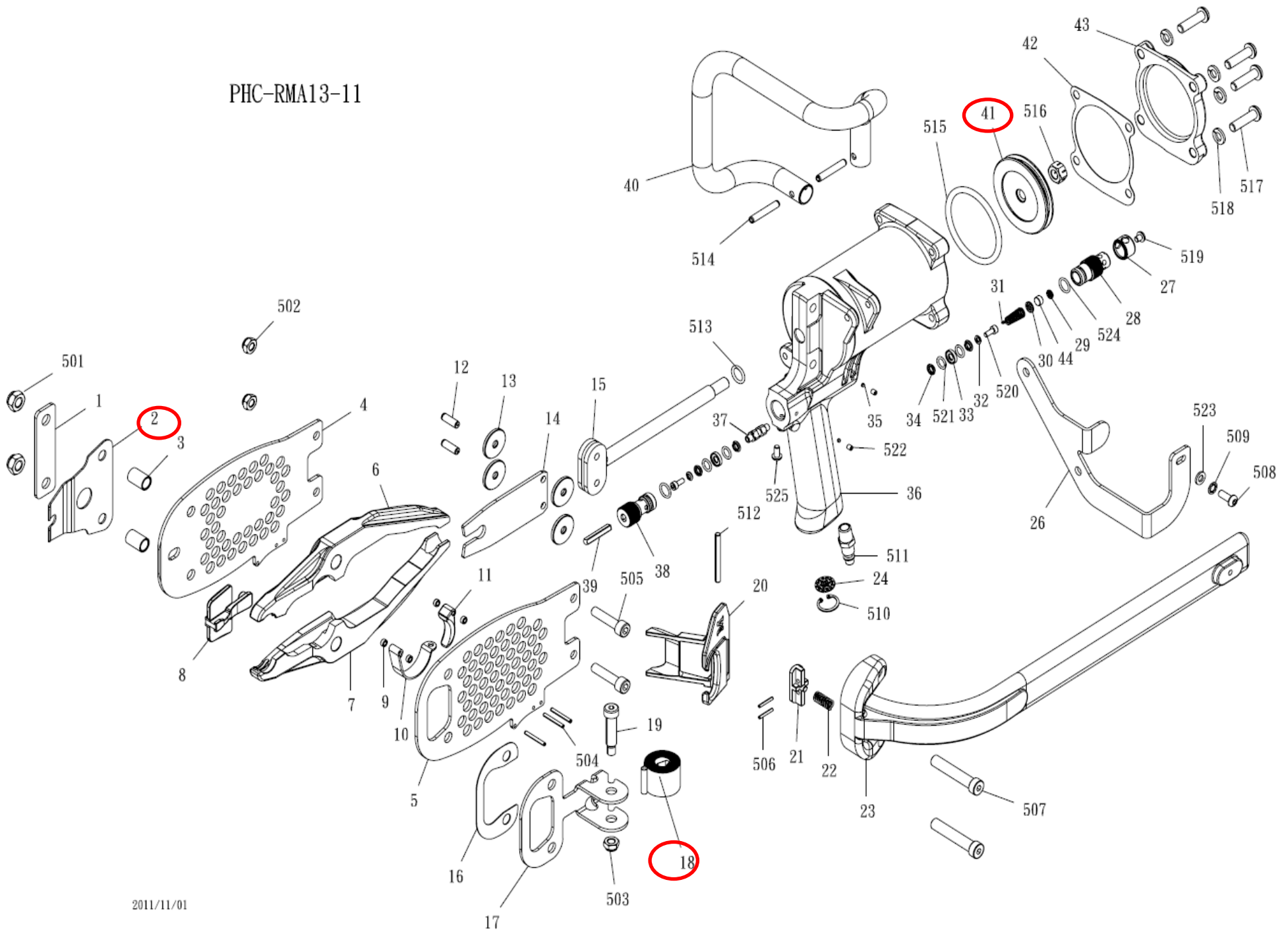


DESPIECE DE LA HERRAMIENTA

Usted encontrará con un círculo las piezas de desgaste recomendadas para mantener en stock.

PHC-RMA13-11



2011/11/01

002 Spring Latch
018 Spring
041 Pistón

Kit: Un spring latch (002), un resorte (0018) y un pistón (0041)

LISTA DE PARTES
MODELO: PHC-RMA-13-11

Item	Part No.	Description	Q'ty	Specification	P. Lista
001	A11800201	WASHER	1		276.73
002	A11800301	SPRING, LATCH	1		164.12
003	A11800801	BUSHING	2		70.71
004	A11801202	SIDE PLATE	1		1,309.45
005	A11801101	SIDE PLATE	1		1,364.45
006	A11800501	JAW, UPPER	1		2,185.04
007	A11800401	JAW, LOWER	1		2,185.04
008	A11801801	LATCH	1		410.30
009	A11801501	TUBE	4		20.95
010	A08601201	GUARD, TRIGGER	1		55.87
011	A08603401	TRIGGER	1		291.57
012	A11801001	ROD	2		49.76
013	A11800901	ROLLER	4		178.09
014	A11800601	BLADE	1		544.73
015	A11801401	PISTON ROD	1		3,414.18
016	A11801901	WASHER	1		318.63
017	A11801701	BLACKET	1		371.01
018	A11802501	SPRING	1		474.02
019	A11802401	ROD	1		811.86
020	A11802301	PUSHER	1		797.02
021	A11802201	SHOE, MAGAZINE	1		255.78
022	A11802101	SPRING	1		16.59
023	A11802001	MAGAZINE	1		7,108.58
024	A06304901	SILENCER	1		37.54
025	A011803201	BUMPER	1		-
026	A11800101	FEEDER ARM	1		478.39
027	A08602701	DEFLECTOR	1		239.19
028	A08602601	SEAT, REAR VALVE	1		383.23
029	A08605201	SILENCER A	1		75.08
030	A08605301	SILENCER B	1		78.57
031	A08602501	SPRING	1		21.82
032	A08603701	WASHER	2		37.54
033	A08603301	SUPPORT, O-RING CENTER	2		50.63
034	A08603201	SUPPORT, O-RING END	4		40.16
035	A08605001	PLASTIC PIN	2		14.33
036	A11801301	BODY	1		11,660.24

Item	Part No.	Description	Q'ty	Specification	P. Lista
037	A08602801	SPACER	1		144.04
038	A08602901	SEAT, FRONT VALVE	1		449.58
039	A08603001	STEM, THROTTLE	1		41.90
040	A11801601A	HANDLE	1		2,618.90
041	A11800701	PISTON	1		626.79
042	A11802601	WASHER	1		147.53
043	A11802701	CAP	1		735.91
044	A08605401	SILENCER	1	lg	34.92
501	BAD02103	LOCK NUT	2	M10x1.5	18.33
502	BAD01081	LOCK NUT	2	M8x1.25	14.33
503	BAD02103	LOCK NUT	1	M10x1.5	18.33
504	BAA030026	SPRING PIN	3	φ3-26	14.33
505	BAC0408352	HEX. SOC. HD. BOLT	2	M8x1.25-35	14.33
506	BAA025018	SPRING PIN	2	φ2.5-18	14.33
507	A11802801	HEX. SOC. HD. BOLT	2	M10x1.5-53.5	198.16
508	BAC0906162	HEX. SOC. BUTTOM HD. CAP SCREW	1	M6x1-16	14.33
509	BAE07061	WHASER	1	□6	14.33
510	BAF22002	C-RING	1	□20	14.33
511	A00100801	AIR PLUG	1	Japanese Type	47.14
511	A00100802	AIR PLUG	1	U.S.A. Type	47.14
511	A00100803	AIR PLUG	1	EURO Type	47.14
512	BAA05050	SPRING PIN	1	□5-50	14.33
513	BAB024123	O-RING	1	φ2.4xφ12.3	14.33
514	BAA060036	SPRING PIN	2	□6-36	14.33
515	BAB053628	O-RING	1	φ5.34xφ62.87	139.67
516	A11802901	LOCK NUT	1	M10x1.5	127.45
517	BAC0908302	HEX. SOC. BUTTOM HD. CAP SCREW	4	M8x1.25-30	14.33
518	BAE01081	SPRING WASHER	4	φ8	14.33
519	BAC0905062	HEX. SOC. BUTTOM HD. CAP SCREW	1	M5x0.8-6	14.33
520	BAC0404102	HEX. SOC. HD. BOLT	2	M4X0.7-10	14.33
521	BAB017079	O-RING	4	φ1.78xφ7.94	14.33
522	BAC0304052	HEX. SOC. HDLESS. BOLT	2	M4x0.7-5	14.33
523	BAE04064	WASHER	1	□6*□16*1.5	14.33
524	BAB017108	O-RING	2	φ1.78xφ10.82	14.33
525	BAC0905102	HEX.SOC.BUTTOM HD.CAP SCREW	1	M5x0.8-10	14.33

* Precios en moneda nacional