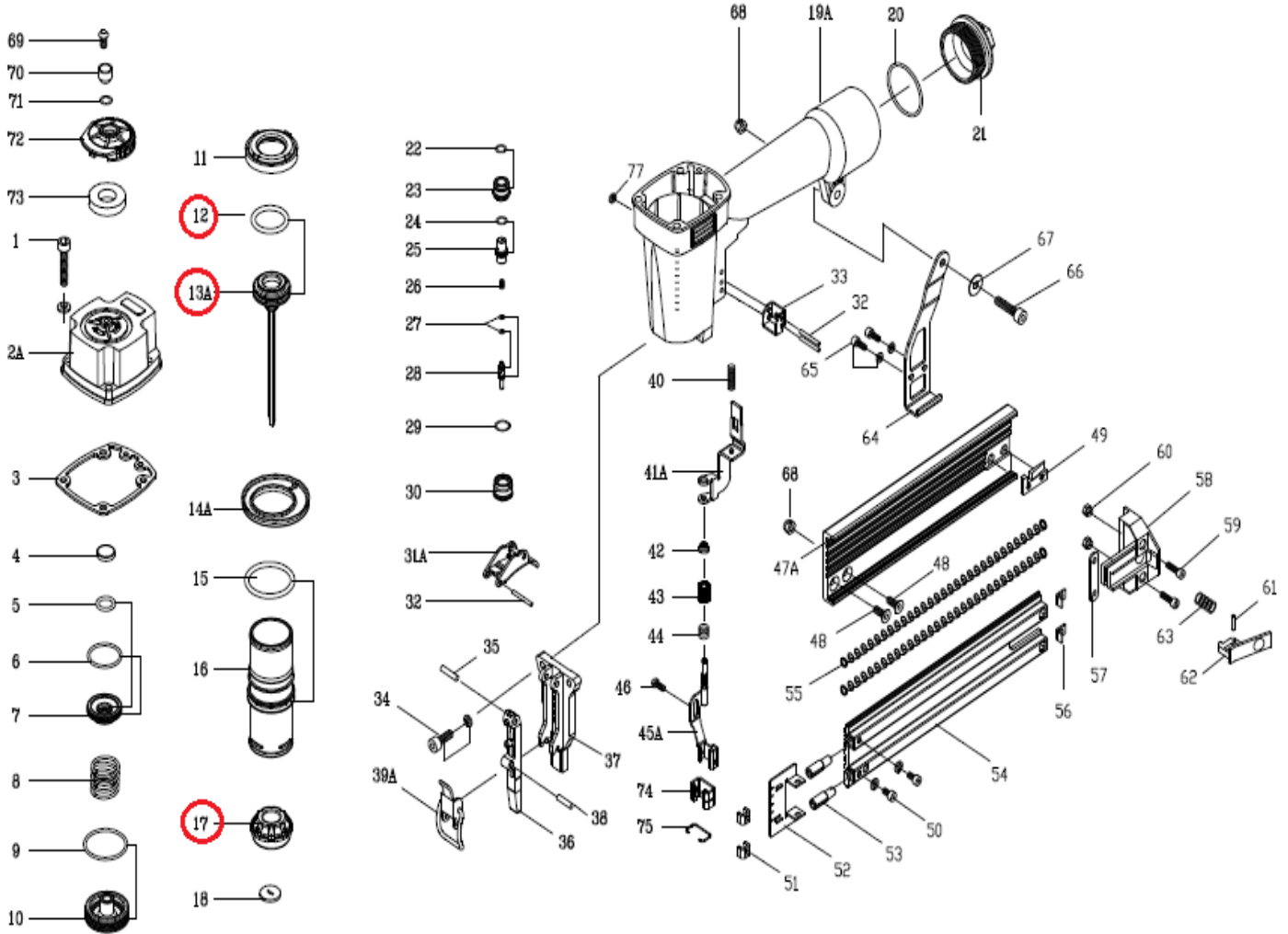


DESPIECE DE LA HERRAMIENTA

Usted encontrará con un círculo las piezas de desgaste recomendadas para mantener en stock.

BF1650L



12: O'ring 13A:Lanceta 17:Tope

KIT: Un O'ring (12), una lanceta (13A), un tope (17)

Propiedad de: Implementos Neumáticos SA de CV
Prohibida la reproducción parcial o total

LISTA DE PARTES
MODELO: BF1650L

CONFIDENCIAL

Item	Part No.	Description	Q'ty	P. Lista
1	BF1650L-01	Hex. Soc. Hd. Bolt	4	19.13
2	BF1650L-02A	Cap Assembly	1 set	673.53
3	BF1650L-03	Gasket	1	64.09
4	BF1650L-04	Seal	1	58.26
5	BF1650L-05	O-Ring	1	19.13
6	BF1650L-06	O-Ring	1	19.13
7	BF1650L-07	Piston Stopper	1	273.84
8	BF1650L-08	Spring	1	40.78
9	BF1650L-09	O-ring	1	19.13
10	BF1650L-10	Piston, Head Valve	1	335.60
11	BF1650L-11	Seal	1	116.53
12	BF1650L-12	O-ring	1	19.81
13A	BF1650L-13A	Driver Assembly	1 set	316.95
14A	BF1650L-14A	Cylinder Spacer Assy	1 set	297.14
15	BF1650L-15	O-ring	1	27.97
16A	BF1650L-16	Cylinder	1	576.81
17	BF1650L-17	Bumper	1	268.01
18	BF1650L-18	Driver Guide	1	23.31
19A	BF1650L-19A	Body Assembly	1 set	1,644.20
20	BF1650L-20	O-ring	1	24.47
21	BF1650L-21	End Cap	1	212.08
22	BF1650L-22	O-ring	1	19.13
23A	BF1650L-23	Valve	1	90.89
24	BF1650L-24	O-ring	1	19.13
25	BF1650L-25	Valve Plunger	1	79.24
26	BF1650L-26	Spring	1	19.13
27	BF1650L-27	O-ring	2	19.13
28	BF1650L-28	Plunger	1	31.46
29	BF1650L-29	O-ring	1	19.13
30	BF1650L-30	Plunger Cap	1	171.29
31A	BF1650L-31A	Trigger Assembly	1 set	168.96
32	BF1650L-32	Spring Pin	3	19.13
33	BF1650L-33	Guide, Safety Lever	1	69.92
34	BF1650L-34	Hex. Soc. Hd. Bolt	1	19.13
35	BF1650L-35	Spring Pin	1	19.13
36	BF1650L-36	Door	1	664.20
37	BF1650L-37	Nose	1	1,398.32
38	BF1650L-38	Spring Pin	1	19.13
39A	BF1650L-39A	Latch Spring Assembly	1 set	129.34

Item	Part No.	Description	Q'ty	P. Lista
40	BF1650L-40	Spring, Safety	1	19.13
41A	BF1650L-41A	Upper Safety Lever Assy.	1	136.34
42	BF1650L-42	Safety Guide	1	52.44
43	BF1650L-43	Adjusting Nut	1	87.40
44	BF1650L-44	Adjusting Spring	2	19.13
45A	BF1650L-45A	Lower Safety Lever Assy	1	157.31
46	BF1650L-46	Hex. Soc. Hd. Bolt	1	19.13
47A	BF1650L-47A	Magazine Assembly	1	589.63
48	BF1650L-48	Hex. Soc. Hd. Bolt	1	19.13
49	BF1650L-49	Magazine Cover Stopper	2	237.72
50	BF1650L-50	Hex. Soc. Hd. Bolt	1 set	19.13
51	BF1650L-51	Spring Stopper	1	24.47
52	BF1650L-52	Pusher	1	53.60
53	BF1650L-53	Spring Lock	1	19.13
54	BF1650L-54	Magazine Cover	1	439.31
55	BF1650L-55	Spring	1	38.45
56	BF1650L-56	Spring Stopper	1	19.13
57	BF1650L-57	Magazine Cap Plate	1	19.13
58	BF1650L-58	Magazine Cap	1	81.57
59	BF1650L-59	Hex. Soc. Hd. Bolt	2	19.13
60	BF1650L-60	Locknut	2	37.29
61	BF1650L-61	Pin	1	25.64
62	BF1650L-62	Latch	1	206.25
63	BF1650L-63	Spring	1	19.13
64	BF1650L-64	Bracket	1	139.83
65	BF1650L-65	Hex. Soc. Hd. Bolt	1	61.76
66	BF1650L-66	Hex. Soc. Hd. Bolt	1	19.13
67	BF1650L-67	Flat Washer	1	19.13
68	BF1650L-68	Locknut	1	19.13
69	BF1650L-69	Hex. Soc. Hd. Bolt	1	19.13
70	BF1650L-70	Washer		64.09
71	BF1650L-71	O'ring	1 set	19.13
72	BF1650L-72	Deflector	1	58.26
73	BF1650L-73	Muffler	1	40.78
74	BF1650L-74	Rubber Pad	1	22.14
75	BF1650L-75	Clip	1	19.13
	KIT			
D	BF1650L-D	Dirver Maintenance Kit	1 Set	702.66
O	BF1650L-O	O-Ring Maintenance Kit	1 Set	223.73

*Precios en moneda nacional