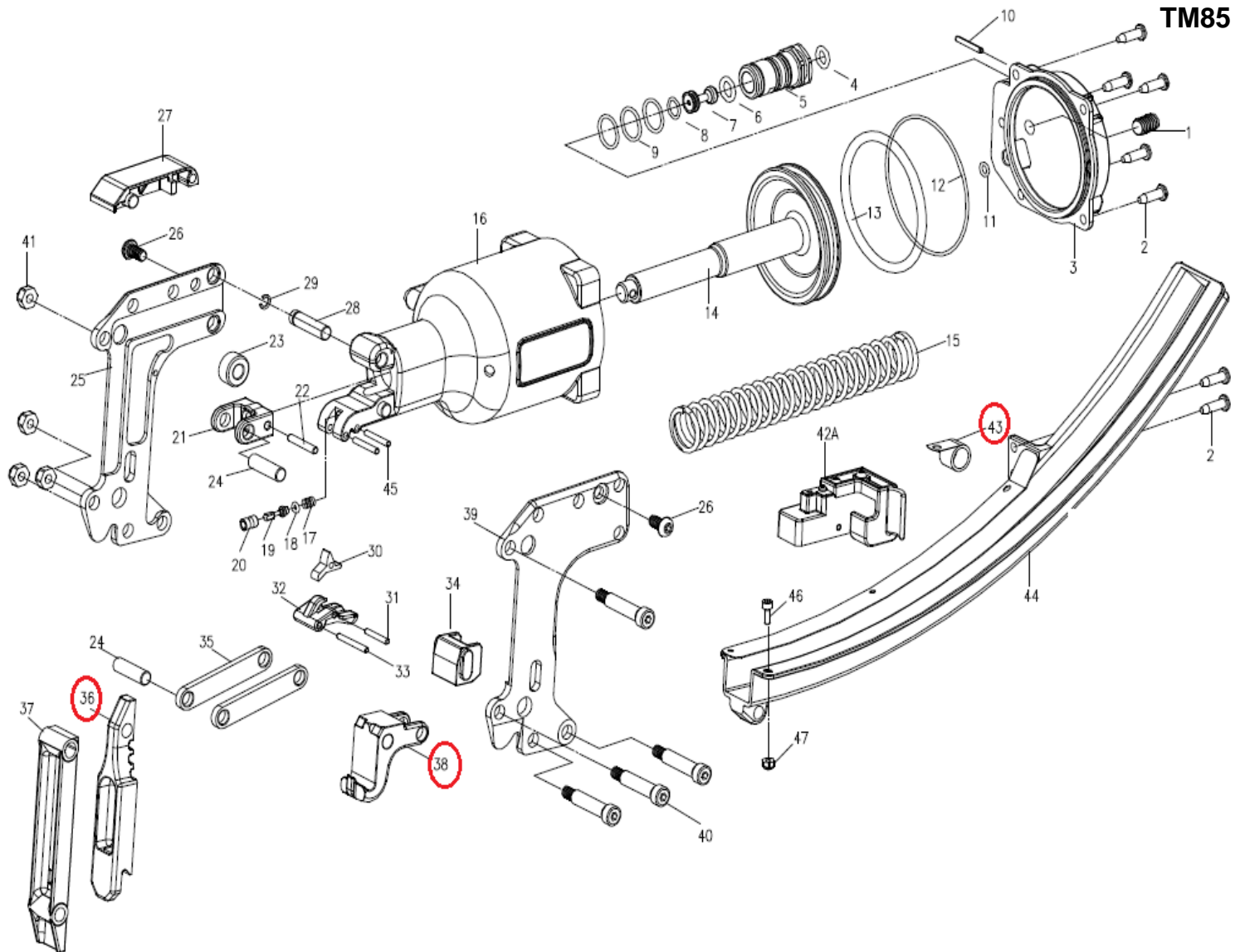


## DESPIECE DE LA HERRAMIENTA

Usted encontrará con un círculo las piezas de desgaste recomendadas para mantener en stock.



36: Lanceta      38: Anvil      43: Resorte empujador

**KIT: Una lanceta (36), un anvil (38) y un resorte empujador (43)**

Propiedad de: Implementos Neumáticos SA de CV  
Prohibida la reproducción parcial o total

CONFIDENCIAL

LISTA DE PARTES  
MODELO: TM46

Item	Part No.	Description	Q'ty	Specification	P. Lista
1	TM46-1	Screw	1		14.07
2	TM46-2	Bolt	7		14.07
3	TM46-3	Cap	1		1,388.88
4~9	TM46-4~9	Trigger Valve Kit(#4,5,6,7,8,9)	1		540.64
10	TM46-10	Spring Pin	1		17.14
11	TM46-11	O-Ring	1		14.07
12	TM46-12	O-Ring	1		17.14
13	TM46-13	O-Ring	1		28.27
14	TM46-14	Piston	1		3,171.02
15	TM46-15	Spring, Piston	1		516.65
16	TM46-16	Body	1		2,171.14
17	TM46-17	Spring, Trigger Valve	1		17.99
18	TM46-18	O-Ring	1		14.07
19	TM46-19	Plunger	1		132.80
20	TM46-20	Valve	1		88.25
21	TM46-21	Yoke	1		1,048.73
22	TM46-22	Spring Pin	1		16.28
23	TM46-23	Roller	1		399.27
24	TM46-24	Pin Link	2		35.13
25/39	TM46-25/39	Side Plate Assy.(#25,3	1		6,913.54
26	TM46-26	Bolt	2		14.07
27	TM46-27	Top Plate	1		1,550.81
28	TM46-28	Pin	1		88.25
29	TM46-29	Clip	1		14.07
30	TM46-30	Trigger Valve Lever	1		169.65
31	TM46-31	Spring Pin	1		14.57
32	TM46-32	Trigger	1		36.84
33	TM46-33	Spring Pin	1		17.99
34	TM46-34	Blade Guide	1		532.07
35	TM46-35	Link	2		356.43
36	TM46-36	Blade	1		1,440.28
37	TM46-37	Front Plate	1		2,555.84
38	TM46-38	Anvil	1		1,642.49
40	TM46-40	Shoulder Bolt	4		128.52
41	TM46-41	Lockunt	4		14.07
42A	TM46-42A	Puscher Latch	1		570.63
43	TM46-43	Spiral Spring	1		738.56
44	TM46-44	Magazine Assembly	1		1,669.05
45	TM46-45	Dowel pin	2		16.28
46	TM46-46	Hex. Soc. Hd. Bolt	1		14.07
47	TM46-47	Lockunt	1		14.07

\* Precios en moneda nacional