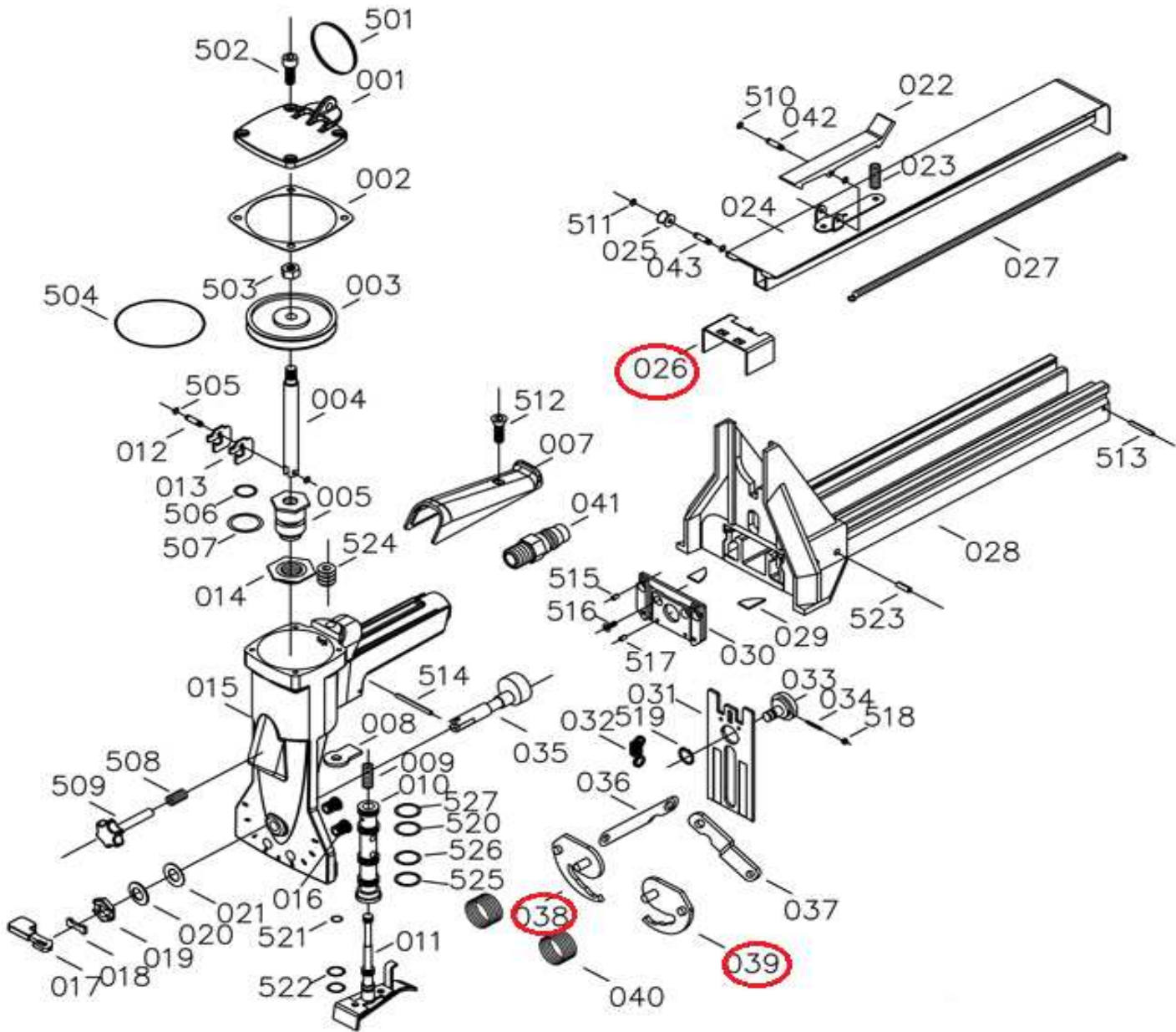


## DESPIECE DE LA HERRAMIENTA

Usted encontrará con un círculo las piezas de desgaste recomendadas para mantener en stock.



026 Pusher

038 Clincher right

039 Clincher Left

Kit: 1 Empujador (026), 1 Cuchilla derecha (038), 1 Cuchilla izquierda (039)

Propiedad de: Implementos Neumáticos SA de CV  
Prohibida la reproducción parcial o total

CONFIDENCIAL

LISTA DE PARTES  
MODELO: MP-19-35

Item	Part No.	Description	Q'ty	Specification	P. Lista
001	A04805601	CAP	1		116.53
002	A04804801	PACKING	1		60.59
003	A04800203	PISTON	1		436.98
004	A04800302	PISTON ROD	1		200.43
005	A04800401	ADJUSTING BOLT	1		230.72
007	A04800702	HANDLE COVER	1		116.53
008	A04804701	PLASTIC NUT	1		19.13
009	A04801501	SPRING	1		19.13
010	A04801603	TUBE	1		404.35
011	A04801202A-03	TRIGGER UNIT	1		257.52
012	A04802301	SHAFT	1		19.81
013	A04802501	PLATE	2		19.13
014	A04800501	ADJUSTING NUT	1		75.74
015	A04805501	BODY	1		2,202.36
016	A04804402	BUSH	1		30.30
017	A04800801-03	ADJUSTING ROD	1		27.97
018	A04800901	WASHER	1		19.13
019	A04801002	WASHER	1		61.76
020	A04801101	PLATE SPRING	1		34.96
021	A04804901	WASHER	1		19.13
022	A04803901	STOPPER	1		43.11
023	A04804002	SPRING	1		19.13
024	A04803401A	COVER UNIT	1		551.17
025	A04803301	ROLLER	1		43.11
026	A04803701	PUSHER	1	19-35	72.25
027	A04803601	SPRING	1		34.96
028	A04802801A	MAGAZINE UNIT	1	19-35	2,310.73
029	A04804501	PLATE	2		19.13
030	A04803004A	DRIVER GUIDE UNIT	1	19-35	219.07
031	A04804301	DRIVER	1	19-35	186.44
032	A04802401	SPRING	1		19.13
033	A04802201	ADJUSTING ROD	1	19-34,19-35	203.92
034	A04802601	SPRING	1		19.13
035	MP-19-35-P6	ADJUSTING ROD UNIT ROD UNIT	1		546.51

Item	Part No.	Description	Q'ty	Specification	P. Lista
036	A04802001	PLATE A	1		93.22
037	A04802101	PLATE B	1		96.72
038	A04801803@	CLINCHER, RIGHT	1	19-35, 19-34	181.78
039	A04801903@	CLINCHER, LEFT	1	19-35, 19-34	181.78
040	A04801702	SPRING	2		19.13
042	A04805201	SHAFT	1		26.80
043	A04805301	SHAFT	1		26.80
501	C0011302	RING	1		19.13
502	BAC0604102	HEX.SOC.HD.BO LT	4	M4×0.7-10	19.13
503	BAD02061	HEX.NUT	1	M6×1	19.13
504	BAB035457	O-RING	1	φ3.5 × φ45.7	32.63
505	BAF10202	E-RING	2	φ2	19.13
506	BAB019078	O-RING	1	φ1.9×φ7.8	19.13
507	BAB024118	O-RING	1	φ2.4 × φ11.8	19.13
508	BAG020602	HELI-COIL	1	M6×1.0-2D	25.64
509	A04805701-03	ADJUSTING BOLT SET	1	M6 × 1 - 36	73.41
510	BAF10202	E-RING	2	φ2	19.13
511	BAF10202	E-RING	2	φ2	19.13
512	BAC0204102	HEX.SOC.FLAT COUNTER SNK HD.SCREW	1	M4 × 0.7 - 10	19.13
513	BAA025012	SPRING PIN	1	φ2.5-12	19.13
514	BAA025018	SPRING PIN	1	φ2.5-18	19.13
515	BAA025004	SPRING PIN	4	φ2.5-4	19.13
516	BAC0102101	FLAT HD. SCREW	4	M2.6×0.45-10	19.13
517	BAA025006	SPRING PIN	2	φ2.5 - 6	19.13
518	BAH01013	STEEL BALL	1	φ1.5	19.13
519	BAF10402	E-RING	1	φ4	19.13
520	BAB015090	O-RING	4	φ1.5×φ9	19.13
521	BAB015030	O-RING	1	φ1.5×φ3	19.13
522	BAB015048	O-RING	2	φ1.5 × φ4.8	19.13
523	BAA040008-R	SPRING PIN	4	φ4 - 8	34.96
524	BAC0308062	HEX. SOC. HEADLESS SCREW	1	M8×1.25-6	19.13
525	BAB015100	O-RING	1	φ1.5 × φ10	19.13
526	BAB015095	O-RING	1	φ1.5 × φ9.5	19.13
527	BAB015085	O-RING	1	φ1.5 × φ8.5	19.13

\*Precios en moneda nacional