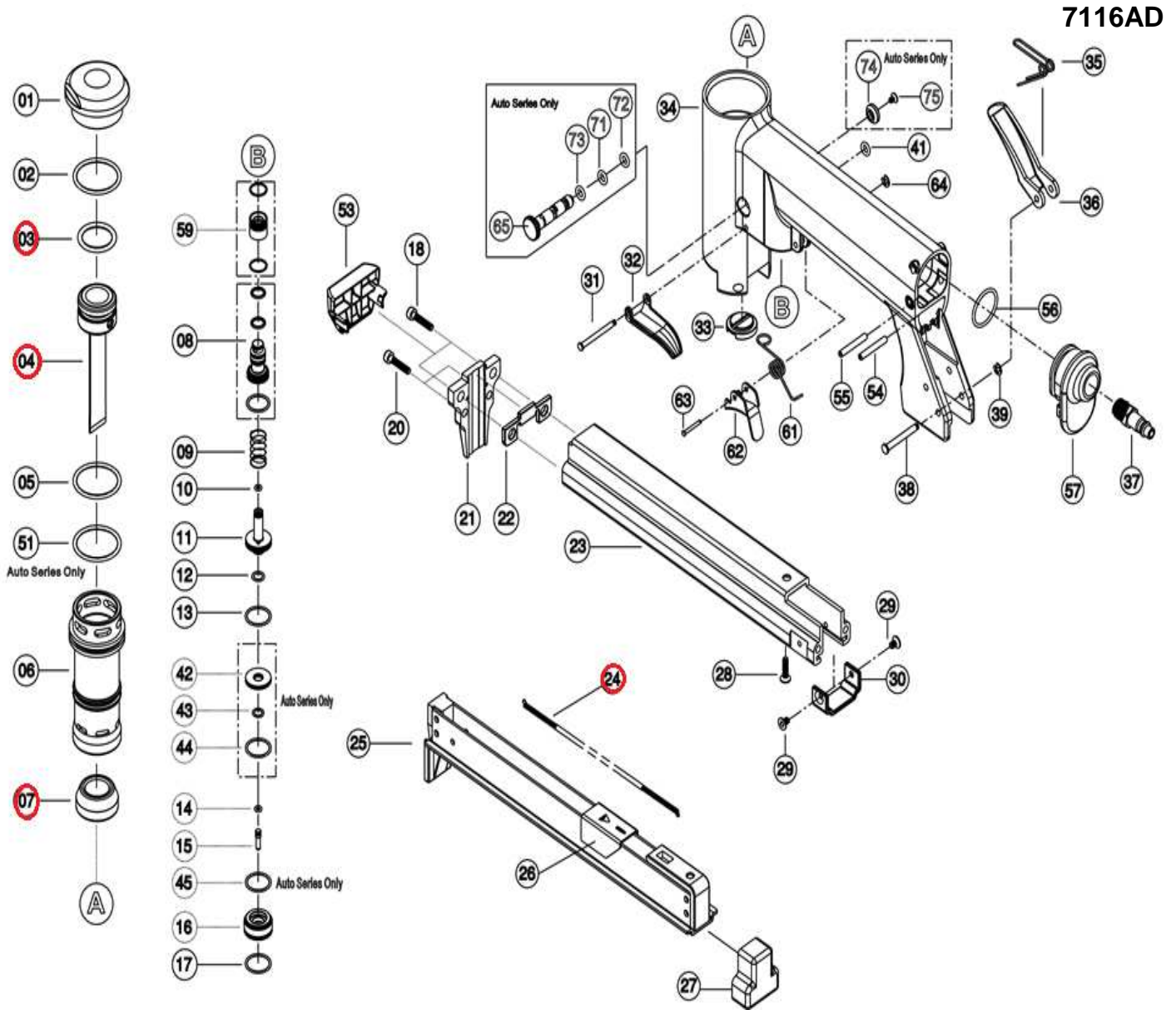


DESPIECE DE LA HERRAMIENTA

Usted encontrará con un círculo las piezas de desgaste recomendadas para mantener en stock.



03: O'ring 04: Lanceta 07: Tope 24:Resorte empujador
KIT: Un O'ring (03), una lanceta (04), un tope (07), un resorte empujador (24)

Propiedad de: Implementos Neumáticos SA de CV
Prohibida la reproducción parcial o total

LISTA DE PARTES
MODELO: 7116AD

CONFIDENCIAL

Item	Part No.	Description	Q'ty	P. Lista
1	18012	Cap	1	298.24
2	90036	O-Ring	1	16.71
3	90001	O-Ring	1	16.71
4	17023-1	Piston Ram Assembly	1	377.63
5	90034	O-Ring	1	16.71
6	18041	Cylinder	1	359.31
7	18050	Bumper	1	39.70
8	18060-1	Trigger Valve Set	1	131.31
9	18070	Trigger Valve Spring	1	16.71
10	90055	O-Ring	1	16.71
11	18090	Trigger Valve	1	228.01
12	90006	O-Ring	1	16.71
13	90008	O-Ring	1	16.71
14	90009	O-Ring	1	16.71
15	18110	Trigger Valve Stem	1	52.93
16	18130	Trigger Valve Guide	1	161.84
17	90007	O-Ring	1	16.71
18	91013-1	Hex. HD Soc Screw+Washer	2	16.71
20	91001	Hex. HD Soc Screw	2	16.71
21	17140	Nose	1	285.01
22	18150	Nose Plate B	1	43.77
23	17160	Magazine Cover	1	613.78
24	18170	Pusher Spring	1	26.46
25	17180	Magazine	1	613.78
26	17190	Pusher	1	66.16
27	18200	Rear Magazine Bumper	1	61.07
28	93001	Hex. Soc FT HD Screw	1	16.71
29	93003	Hex. Soc FT HD Screw	2	16.71
30	18210	Magazine Retainer	1	52.93
31	18220	Step Pin	1	16.71

Item	Part No.	Description	Q'ty	P. Lista
32	18230	Trigger	1	43.77
33	18240	Seal	1	17.30
34	18487-1	Body	1	1,667.29
35	18270	Seal	1	17.30
36	18280	Magazine Latch	1	184.24
37	94001-1	Air Plug	1	39.70
38	18290	Pin	2	16.71
39	95001	E-ring	2	16.71
41	90010	O-Ring	1	16.71
42	18310-1	Trigger Valve Plate	1	307.40
43	90005	O-Ring	1	16.71
44	90033	O-Ring	1	16.71
45	90033	O-Ring	1	16.71
51	90015	O-Ring	1	16.71
53	18330	Nose Cover	1	43.77
54	96002	Split Pin	1	16.71
55	96001	Split Pin	1	16.71
56	90035	O-Ring	1	43.77
57	18360	End Cap	1	219.86
59	18350-1	Trigger Valve A KIT	1	188.31
61	18390	Double Trigger Latch Spring	1	16.71
62	28100	Double Trigger	1	43.77
63	18370	Pin	1	22.39
64	95002	E-Ring	1	16.71
65	18322	Automatic Adjust Switch	1	394.94
71	90071	O-Ring	1	16.71
72	90103	O-Ring	1	16.71
73	90097	O-Ring	1	16.71
74	18323	Switch Cover	1	52.93
75	98012	Round Head Screw	1	16.71

* Precios en moneda nacional