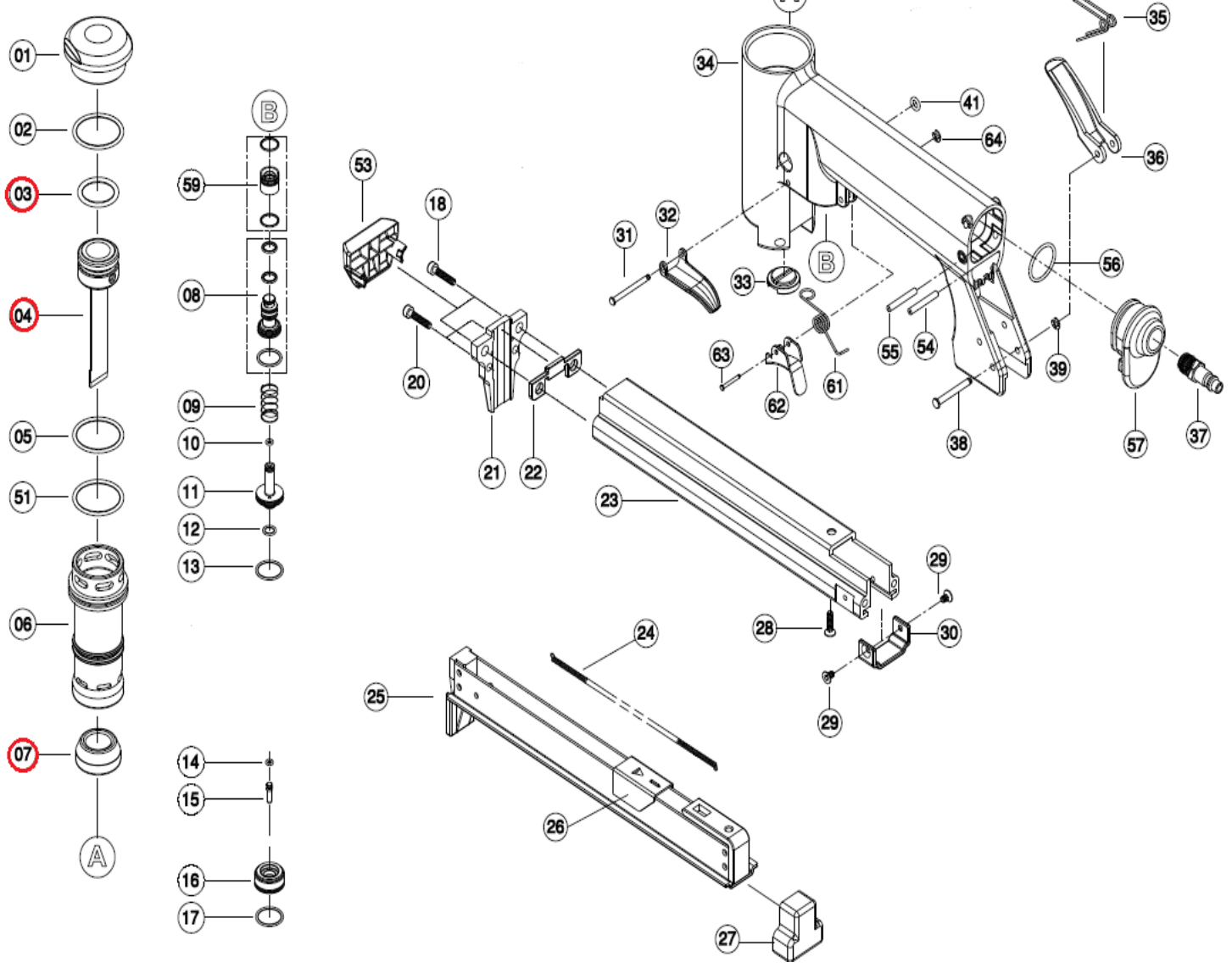


**DESPIECE DE LA HERRAMIENTA**

Usted encontrará con un círculo las piezas de desgaste recomendadas para mantener en stock.

**7116**



03: O'ring    04: Lanceta    07: Tope    24:Resorte empujador

**KIT: Un O'ring (03), una lanceta (04), un tope (07), un resorte empujador (24)**

Propiedad de: Implementos Neumáticos SA de CV  
Prohibida la reproducción parcial o total

**LISTA DE PARTES**  
**MODELO: 7116**

**CONFIDENCIAL**

Item	Part No.	Description	Q'ty	P. Lista
1	18012	Cap	1	298.24
2	90036	O'ring	1	16.71
3	90001	O'ring	1	16.71
4	17023-1	Piston Ram Assembly	1	377.63
5	90034	O'ring	1	16.71
6	18041	Cylinder	1	359.31
7	18050	Bumper	1	39.70
8	18060-1	Trigger Valve Set	1	131.31
9	18070	Trigger Valve Spring	1	16.71
10	90055	O'ring	1	16.71
11	18080	Trigger Valve	1	131.31
12	90005	O'ring	1	16.71
13	90007	O'ring	1	16.71
14	90009	O'ring	1	16.71
15	18100	Trigger Valve Steam	1	22.39
16	18120	Trigger Valve Guide	1	114.00
17	90007	O'ring	1	16.71
18	91013-1	Hex. HD Soc. Screw W/Wd	2	16.71
20	91001	Hex. HD Soc. Screw	2	16.71
21	17140	Nose	1	285.01
22	18150	Nose Plate B	1	43.77
23	17160	Magazine Cover	1	613.78
24	18170	Pusher Spring	1	26.46
25	17180	Magazine	1	613.78
26	17190	Pusher	1	66.16

Item	Part No.	Description	Q'ty	P. Lista
27	18200	Rear Magazine Bumper	1	61.07
28	93001	Hex. Soc. FT HD Screw	1	16.71
29	93003	Hex. Soc. FT HD Screw	2	16.71
30	18210	Magazine Retainer	1	52.93
31	18220	Step pin	1	16.71
32	18230	Trigger	1	43.77
33	18240	Seal	1	17.30
34	18463	Body	1	1,535.98
35	18270	Magazine Latch Spring	1	17.30
36	18280	Magazine Latch	1	184.24
37	94001-1	Air Plug	1	39.70
38	18290	Pin	2	16.71
39	95001	E-ring	2	16.71
41	90010	O-ring	1	16.71
51	90015	O-ring	1	16.71
53	18330	Nose Cover	1	43.77
54	96002	Split Pin	1	16.71
55	96001	Split Pin	1	16.71
56	90035	O-ring	1	43.77
57	18360	End Cap	1	219.86
59	18350-1	Trigger Valve Kit	1	188.31
61	18390	Double Trigger Latch Spring	1	16.71
62	28100	Double Trigger	1	43.77
63	18370	Pin	1	22.39
64	95002	E-ring	1	16.71

\* Precios en moneda nacional