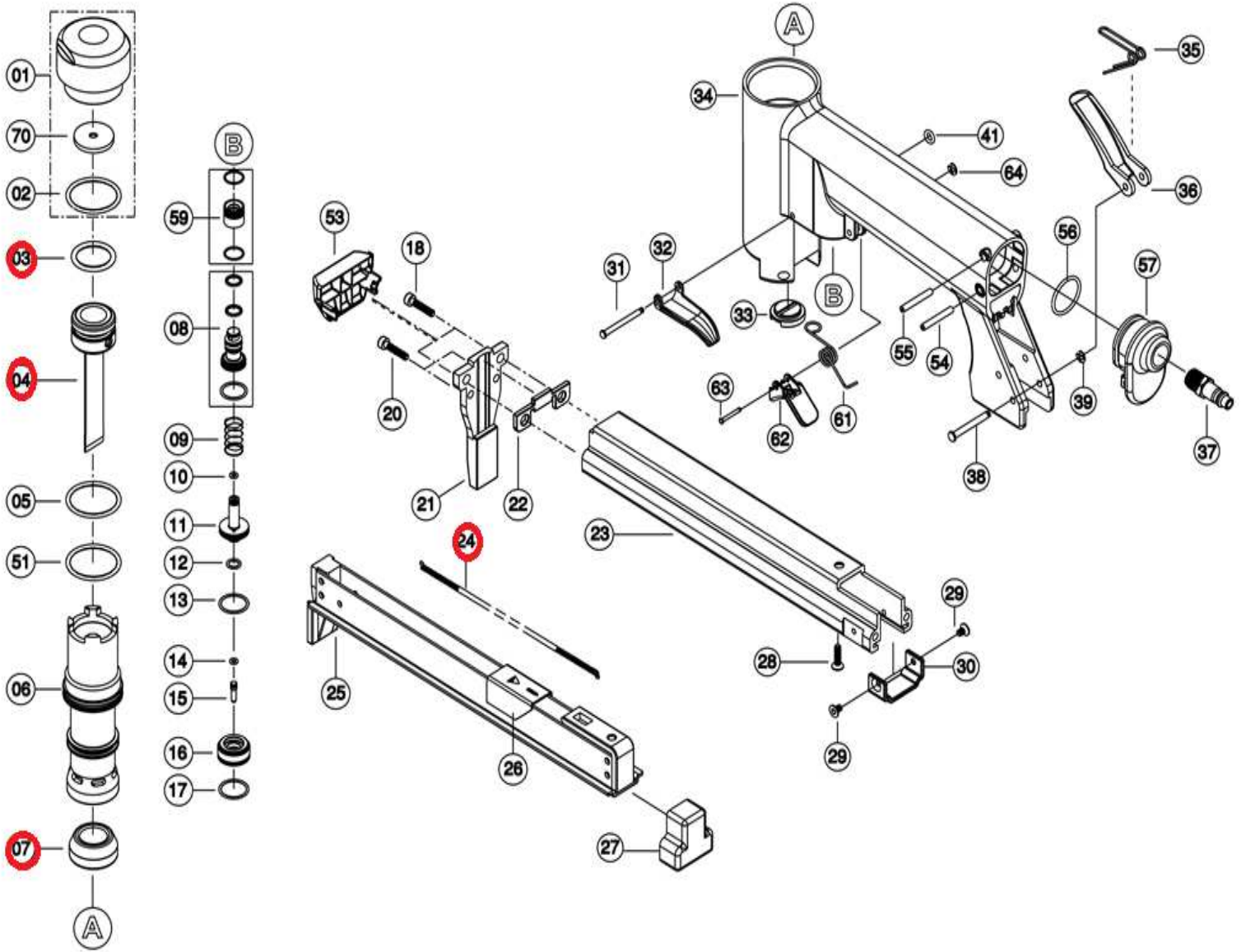


**DESPIECE DE LA HERRAMIENTA**

Usted encontrará con un círculo las piezas de desgaste recomendadas para mantener en stock.

**SF5016D/SF5016DL**



03: O'ring    04: Lanceta    07: Bumper    24:Resorte

KIT: Un O'ring (03), una lanceta (04), una bumper (07), un resorte empujador (24)

Propiedad de: Implementos Neumáticos SA de CV  
Prohibida la reproducción parcial o total

LISTA DE PARTES  
MODELO: SF5016D/SF5016DL

CONFIDENCIAL

| Item | Part No. | Description                        | Hta              | Q'ty | P. Lista |
|------|----------|------------------------------------|------------------|------|----------|
| 1    | 18012    | Cap                                | SF5016D          | 1    | 298.24   |
| 1    | 18014    | Cap                                | SF5016DL         | 1    | 315.54   |
| 2    | 90036    | O'ring                             | SF5016D          | 1    | 16.71    |
| 2    | 90058    | O'ring                             | SF5016DL         | 1    | 16.71    |
| 3    | 90001    | O'ring                             | SF5016D          | 1    | 16.71    |
| 3    | 90063    | O'ring                             | SF5016DL         | 1    | 16.71    |
| 4    | 32020-1  | Piston Ram Assembly (Senco F)      | SF5016D          | 1    | 342.01   |
| 4    | 15022-1  | Piston Ram Assembly (Senco F)      | SF5016DL         | 1    | 351.17   |
| 5    | 90034    | O'ring                             | SF5016D/SF5016DL | 1    | 16.71    |
| 6    | 18041    | Cylinder                           | SF5016D          | 1    | 359.31   |
| 6    | 18043    | Cylinder                           | SF5016DL         | 1    | 344.04   |
| 7    | 18050    | Bumper                             | SF5016D/SF5016DL | 1    | 39.70    |
| 8    | 18060-1  | Trigger Valve Set                  | SF5016D/SF5016DL | 1    | 131.31   |
| 9    | 18070    | Trigger Valve Spring               | SF5016D/SF5016DL | 1    | 16.71    |
| 10   | 90055    | O'ring                             | SF5016D/SF5016DL | 1    | 16.71    |
| 11   | 18080    | Trigger Valve                      | SF5016D/SF5016DL | 1    | 131.31   |
| 12   | 90005    | O'ring (Trigger Valve)             | SF5016D/SF5016DL | 1    | 16.71    |
| 13   | 90007    | O'ring (Trigger Valve)             | SF5016D/SF5016DL | 1    | 16.71    |
| 14   | 90009    | O'ring                             | SF5016D/SF5016DL | 1    | 16.71    |
| 15   | 18100    | Trigger Valve Steam                | SF5016D/SF5016DL | 1    | 22.39    |
| 16   | 18120    | Trigger Valve Guide                | SF5016D/SF5016DL | 1    | 114.00   |
| 17   | 90007    | O'ring (Trigger Valve)             | SF5016D/SF5016DL | 1    | 16.71    |
| 18   | 91000-1  | Hex. HD Soc. Screw + Spring Washer | SF5016D          | 2    | 16.71    |
| 18   | 91013-1  | Hex. HD Soc. Screw + Spring Washer | SF5016DL         | 2    | 16.71    |
| 20   | 91001    | Hex. HD Soc. Screw                 | SF5016D/SF5016DL | 2    | 16.71    |
| 21   | 32140    | Nose (Senco F)                     | SF5016D          | 1    | 328.78   |
| 21   | 15142    | Nose                               | SF5016DL         | 1    | 592.41   |
| 22   | 15150    | Nose Plate (5016 & A11)            | SF5016D/SF5016DL | 1    | 66.16    |
| 23   | 18160    | Magazine Cover                     | SF5016D          | 1    | 613.78   |
| 23   | 15160    | Magazine Cover                     | SF5016DL         | 1    | 613.78   |
| 24   | 18170    | Pusher Spring                      | SF5016D/SF5016DL | 1    | 26.46    |

| Item | Part No. | Description            | Hta              | Q'ty | P. Lista |
|------|----------|------------------------|------------------|------|----------|
| 25   | 32180    | Magazine (Senco F)     | SF5016D          | 1    | 746.11   |
| 25   | 15180    | Magazine               | SF5016DL         | 1    | 613.78   |
| 26   | 32190    | Pusher (Senco F)       | SF5016D          | 1    | 87.54    |
| 26   | 15190    | Pusher                 | SF5016DL         | 1    | 66.16    |
| 27   | 18200    | Rear Magazine Bumper   | SF5016D/SF5016DL | 1    | 61.07    |
| 28   | 93001    | Hex. Soc. FT HD Screw  | SF5016D/SF5016DL | 1    | 16.71    |
| 29   | 93003    | Hex. Soc. FT HD Screw  | SF5016D/SF5016DL | 2    | 16.71    |
| 30   | 18210    | Magazine Retainer      | SF5016D/SF5016DL | 1    | 52.93    |
| 31   | 18410    | Step pin               | SF5016D          | 1    | 16.71    |
| 31   | 18220    | Step pin               | SF5016DL         | 1    | 16.71    |
| 32   | 18230    | Trigger                | SF5016D/SF5016DL | 1    | 43.77    |
| 33   | 18240    | Seal                   | SF5016D/SF5016DL | 1    | 17.30    |
| 34   | 18463    | Body                   | SF5016D/SF5016DL | 1    | 1,535.98 |
| 35   | 18270    | Magazine Latch Spring  | SF5016D/SF5016DL | 1    | 17.30    |
| 36   | 18280    | Magazine Latch         | SF5016D/SF5016DL | 1    | 184.24   |
| 37   | 94001-1  | Air Plug               | SF5016D/SF5016DL | 1    | 39.70    |
| 38   | 18290    | Pin                    | SF5016D/SF5016DL | 2    | 16.71    |
| 39   | 95001    | E-ring                 | SF5016D/SF5016DL | 2    | 16.71    |
| 41   | 90010    | O-ring                 | SF5016D/SF5016DL | 1    | 16.71    |
| 51   | 90015    | O-ring                 | SF5016D/SF5016DL | 1    | 16.71    |
| 53   | 18330    | Nose Cover             | SF5016D/SF5016DL | 1    | 43.77    |
| 54   | 96002    | Split Pin              | SF5016D/SF5016DL | 1    | 16.71    |
| 55   | 96001    | Split Pin              | SF5016D/SF5016DL | 1    | 16.71    |
| 56   | 90035    | O-ring                 | SF5016D/SF5016DL | 1    | 43.77    |
| 57   | 18360    | End Cap                | SF5016D/SF5016DL | 1    | 219.86   |
| 59   | 18350-1  | Trigger Valve a Kit    | SF5016D/SF5016DL | 1    | 188.31   |
| 61   | 18390    | Double Trigger Latch S | SF5016D/SF5016DL | 1    | 16.71    |
| 62   | 28100    | Double Trigger         | SF5016D/SF5016DL | 1    | 43.77    |
| 63   | 18370    | Pin                    | SF5016D/SF5016DL | 1    | 22.39    |
| 64   | 95002    | E-ring                 | SF5016D/SF5016DL | 1    | 16.71    |
| 70   | 18009    | Piston Stopper         | SF5016DL         | 1    | 61.07    |

\* Precios en moneda nacional