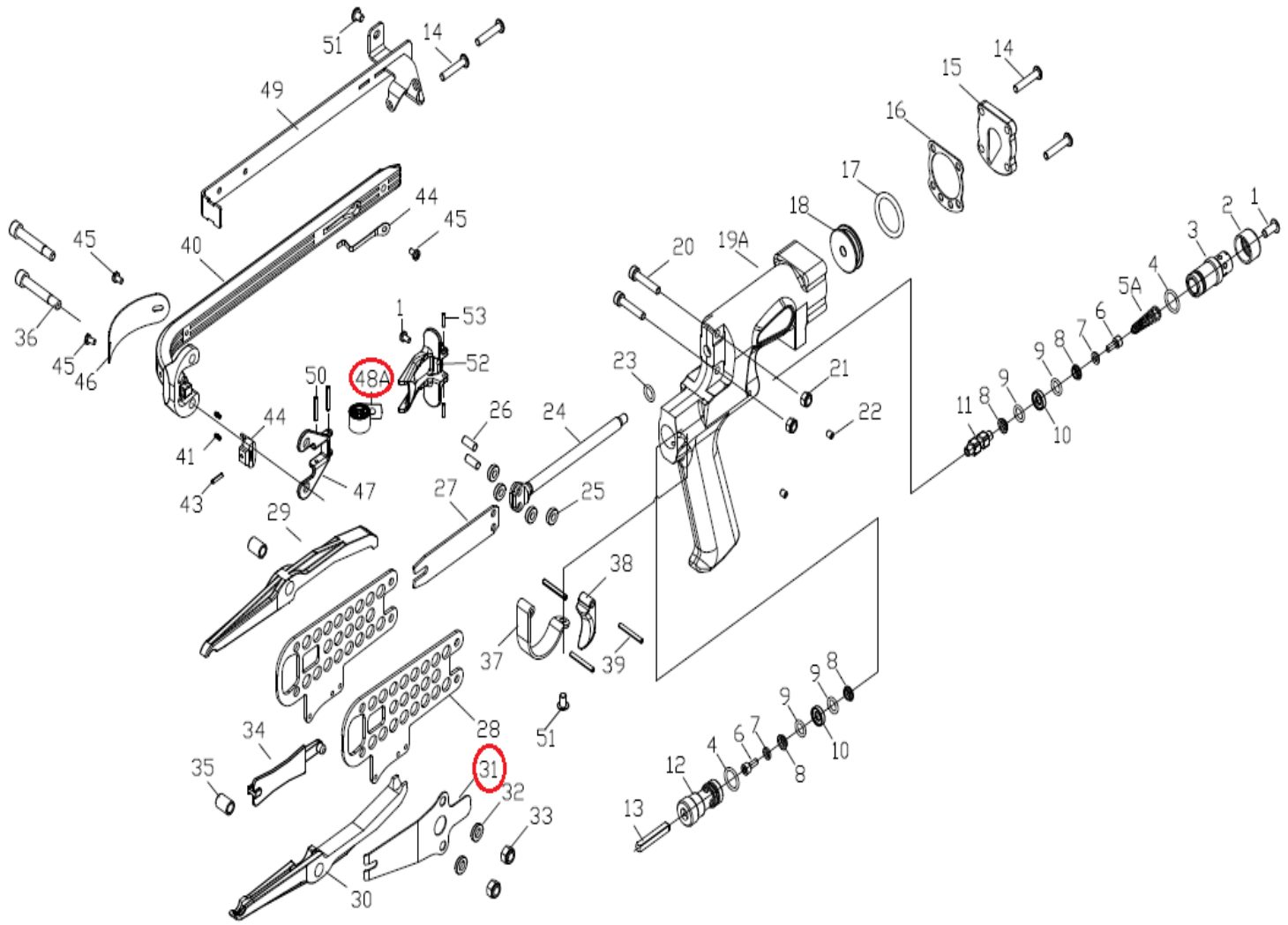


**DESPIECE DE LA HERRAMIENTA**

Usted encontrará con un círculo las piezas de desgaste recomendadas para mantener en stock.

**TC7XLN**



**48A : Pusher Spring Assy    31: Spring Latch**

**KIT: Pusher Spring Assy (48A ) y Spring Latch (31)**

Propiedad de: Implementos Neumáticos SA de CV  
Prohibida la reproducción parcial o total

LISTA DE PARTES  
MODELO: TC7XLN

CONFIDENCIAL

Item	Part No.	Description	Q'ty	P. Lista
1A	TC7XLN-1A	Hex. Soc. Hd. Bolt	2	19.13
2	TC7XLN-2	Air Deflector	1	143.33
3	TC7XLN-3	Rear Valve Seat	1	364.73
4	TC7XLN-4	O-Ring	2	19.13
5	TC7XLN-5	Valve, Spring Assy	1	32.63
6	TC7XLN-6	Hex.Soc.Hd Bolt	2	19.13
7	TC7XLN-7	Valve Washer	2	54.77
8	TC7XLN-8	O-Ring End Support	4	76.91
9	TC7XLN-9	O-Ring	4	19.13
10	TC7XLN-10	O-Ring End Support	2	117.69
11	TC7XLN-11	Valve Spacer	1	276.17
12	TC7XLN-12	Front Valve Seal	1	431.15
13	TC7XLN-13	Valve Stem	1	54.77
14	TC7XLN-14	Hex.Soc.Hd Bolt	4	19.13
15	TC7XLN-15	Cap	1	1,326.08
16	TC7XLN-16	Cylinder Gasket	1	61.76
17	TC7XLN-17	O-ring	1	19.13
18	TC7XLN-18	Piston	1	541.85
19	TC7XLN-19	Body Assembly	1	8,276.91
20	TC7XLN-20	Hex.Soc.Hd Bolt	2	19.13
21	TC7XLN-21	Locknut	2	19.13
22	TC7XLN-22	Hex.Soc.Hd Bolt	2	19.13
23	TC7XLN-23	O-ring	1	19.13
24	TC7XLN-24	Piston Rod	1	4,641.27
25	TC7XLN-25	Roller	4	199.26
26	TC7XLN-26	Roller Pin	2	19.13
27A	TC7XLN-27A	Feeder Blade	1	265.68

Item	Part No.	Description	Q'ty	P. Lista
28A	TC7XLN-28A	Side Plate	2	552.34
29	TC7XLN-29	Upper Jaw	1	4,178.66
30	TC7XLN-30	Lower Jaw	1	4,178.66
31	TC7XLN-31	Latch Spring	1	154.98
32	TC7XLN-32	Spring	2	41.95
33	TC7XLN-33	Locknut	2	19.13
34	TC7XLN-34	Latch	1	993.98
35	TC7XLN-35	Jaw Bushing	2	287.82
36	TC7XLN-36	Jaw Bolt	2	76.91
37	TC7XLN-37	Trigger guard	1	137.50
38	TC7XLN-38	Trigger	1	83.90
39	TC7XLN-39	Spring pin	3	19.13
40	TC7XLN-40	Magazine	1	1,018.45
41	TC7XLN-41	Spring	2	19.13
42	TC7XLN-42	Magazine Shoe	1	298.31
43	TC7XLN-43	Spring Pin	1	19.13
44	TC7XLN-44	Nail Retainer	1	90.89
45	TC7XLN-45	Screw	3	19.13
46	TC7XLN-46	Magazine Cover	1	71.08
47	TC7XLN-47	Pusher Spring Bracket	1	663.04
48A	TC7XLN-48A	Pusher Spring Assy	1	673.53
49A	TC7XLN-49A	Feeder Guide Rail Assy	1	1,436.78
50	TC7XLN-50	Spring Pin	2	19.13
51	TC7XLN-51	Hex.Soc.Hd Bolt	2	19.13
52	TC7XLN-52	Pusher	1	1,082.54
53	TC7XLN-53	Spring Pin	2	19.13

\* Precios en moneda nacional