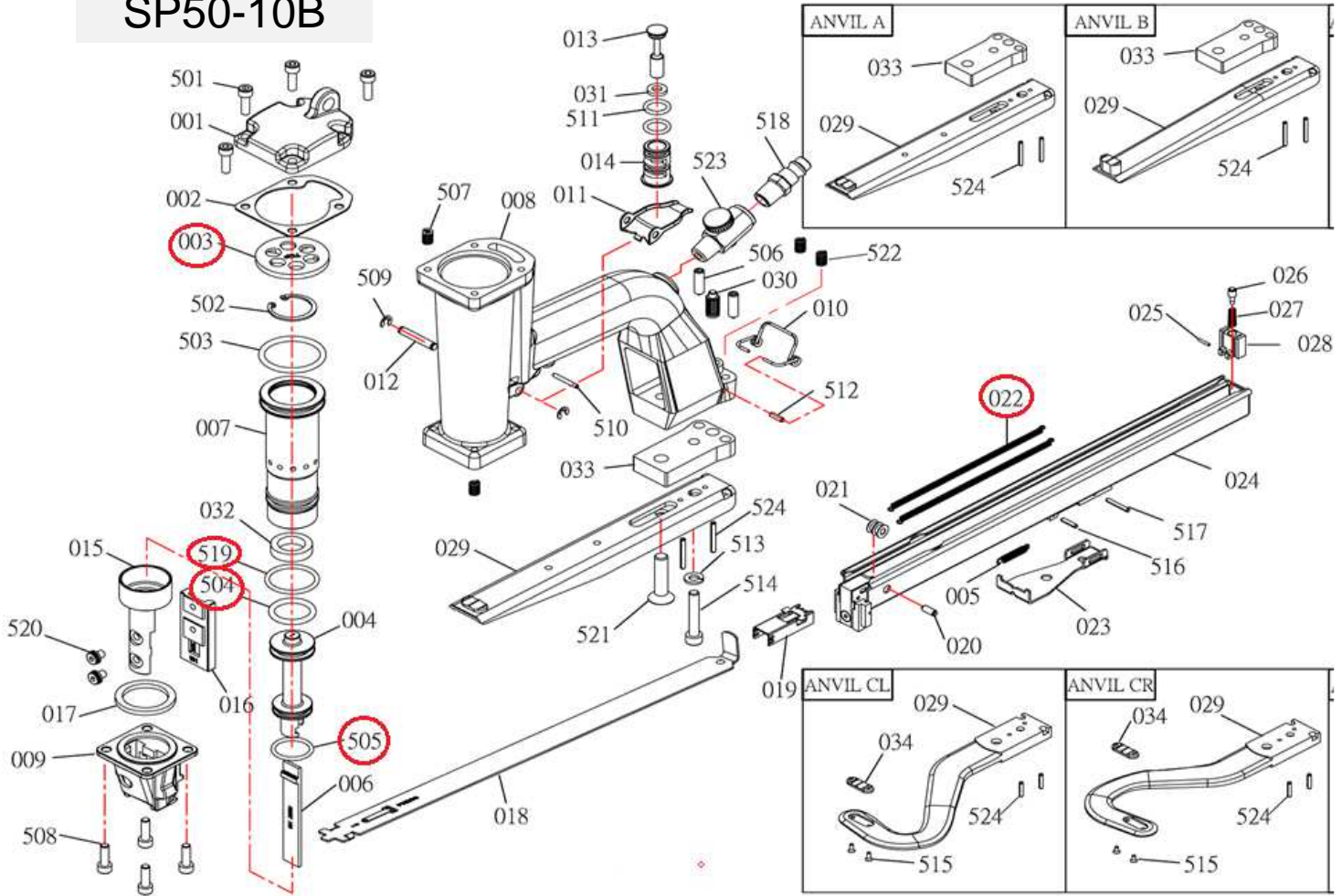


DESPIECE DE LA HERRAMIENTA

Usted encontrará con un círculo las piezas de desgaste recomendadas para mantener en stock.

SP50-05B
SP50-10B



022 Resorte

003 Bumper

519,504,505 O'rings

KIT: Un resorte, un bumper, un o-ring (519,504,505)



Propiedad de: Implementos Neumáticos SA de CV
Prohibida la reproducción parcial o total

LISTA DE PARTES
MODELO: SP50-10B

CONFIDENCIAL

Item	Part No.	Description	Q'ty	Specification	P. Lista	Item	Part No.	Description	Q'ty	Specification	P. Lista
001	A05500101	CAP	1		427.65	029	A05503101	ANVIL CL	1		1,913.37
002	A05500201	PACKING	1		44.28	029	A05504701	ANVIL CR	1		2,057.87
003	A05500301	BUMPER	1		68.75	030	A05504101	ROD	1		33.79
004	A05500401	DRIVER PISTON	1		1,252.67	031	A05504201	SEAL	1		22.14
005	A05500501	SPRING	1		19.13	032	A05504401	PROTECT WASHER	1		87.40
006	A05500601	DRIVER	1	10B series	1,456.59	033	A05504601	SPACER	1	For Anvil A,B	252.86
006	A07500201	DRIVER	1	5B series	1,549.81	034	A05503601	ANVIL C-1	1	For Anvil CL,CR	783.06
007	A05500701	CYLINDER	1		1,107.01	501	BAC0605202	HEX.SOC.HD.BLOT	4	M5x0.8-20	19.13
008	A05500801	BODY	1		8,794.29	502	BAF22802	C-RING	1	φ28	19.13
009	A05500901	GUIDE	1		1,509.02	503	BAB035337	O-RING	1	P34	19.13
010	A05501001	SPRING	1		58.26	504	BAB035214	O-RING	1	P22A	19.13
011	A05501101	TRIGGER	1		69.92	505	BAB024208	O-RING	1	P21	19.13
012	A05501201	ROD	1		26.80	506	BAC0306252	HEX.SOC.HDLESS.	2	M6x1-25(Anvil A,B)	19.13
013	A05501301	VALVE	1		116.53	506	BAC0306152	HEX.SOC.HDLESS.	2	M6x1-15(Anvil CL,CR)	19.13
014	A05501401	TUBE	1		328.61	507	BAG020502	HELI-COIL	8	M5x0.8-2D	23.31
015	A05501501	SLEEVE	1		1,698.96	508	BAC0605142	HEX.SOC.HD.BLOT	4	M5x0.8-14	19.13
016	A05501601	DRIVER GUIDE	1	10B series	1,048.74	509	BAF10402	E-RING	2	φ4	19.13
016	A07500101	DRIVER GUIDE	1	5B series	1,048.74	510	BAA025012	SPRING PIN	1	φ2.5x12	19.13
017	A05501701	BUMPER	1		110.70	511	BAB017124	O-RING/BAB024118	2	φ1.78x12.42	19.13
018	A05501901@	COVER UNIT	1		675.86	512	BAA030010	SPRING PIN	2	φ3x10	19.13
019	A05502401	PUSHER	1		64.09	513	BAE01062	SPRING WASHER	1	M6	19.13
020	A05502601	ROD	1		19.13	514	BAC0406352	HEX.SOC.HD.BLOT	1	M6x1-35(Anvil A,B)	19.13
021	A05502501	ROLLER	1		102.54	514	BAC0406202	HEX.SOC.HD.BLOT	1	M6x1-20(Anvil CL,CR)	19.13
022	A05502301	SPRING	2		58.26	515	BAC0203062	HEX.SOC.FLAT COUNTER	1	M3x0.5-6 (Anvil CL,CR)	19.13
023	A05502701	MAGAZINE CLAMP	1		68.75	516	BAA025012	SPRING PIN	1	φ2.5x12	19.13
024	A05503401@	MAGAZINE SET	1		4,020.18	517	BAA025018	SPRING PIN	1	φ2.5x18	19.13
025	A05502201	ROD	1		19.13	518	A00100802	AIR PLUG	1	U.S.A. Type	62.92
026	A05502001	ROD	1		24.47	519	BAB026282	O-RING	1	φ2.62xφ28.25	19.13
027	A05504001	SPRING	1		19.13	520	BAC0905062	HEX.SOC.ROUND.HD.SCREW	2	M5x0.8-6	19.13
028	A05502101	BLOCK	1		699.16	521	BAC0208352	HEX.SOC.FLAT COUNTER	1	M8x1.25-35	19.13
029	A05503001@	ANVIL A	1		1,398.32	521	BAC0208202	HEX.SOC.FLAT COUNTER	1	M8x1.25-20 (Anvil CL,CR)	19.13
029	A05503201@	ANVIL B	1		1,398.32	521	BAC0208202	HEX.SOC.FLAT COUNTER	1	M8x1.25-20 (Anvil CL,CR)	19.13

*Precios en moneda nacional