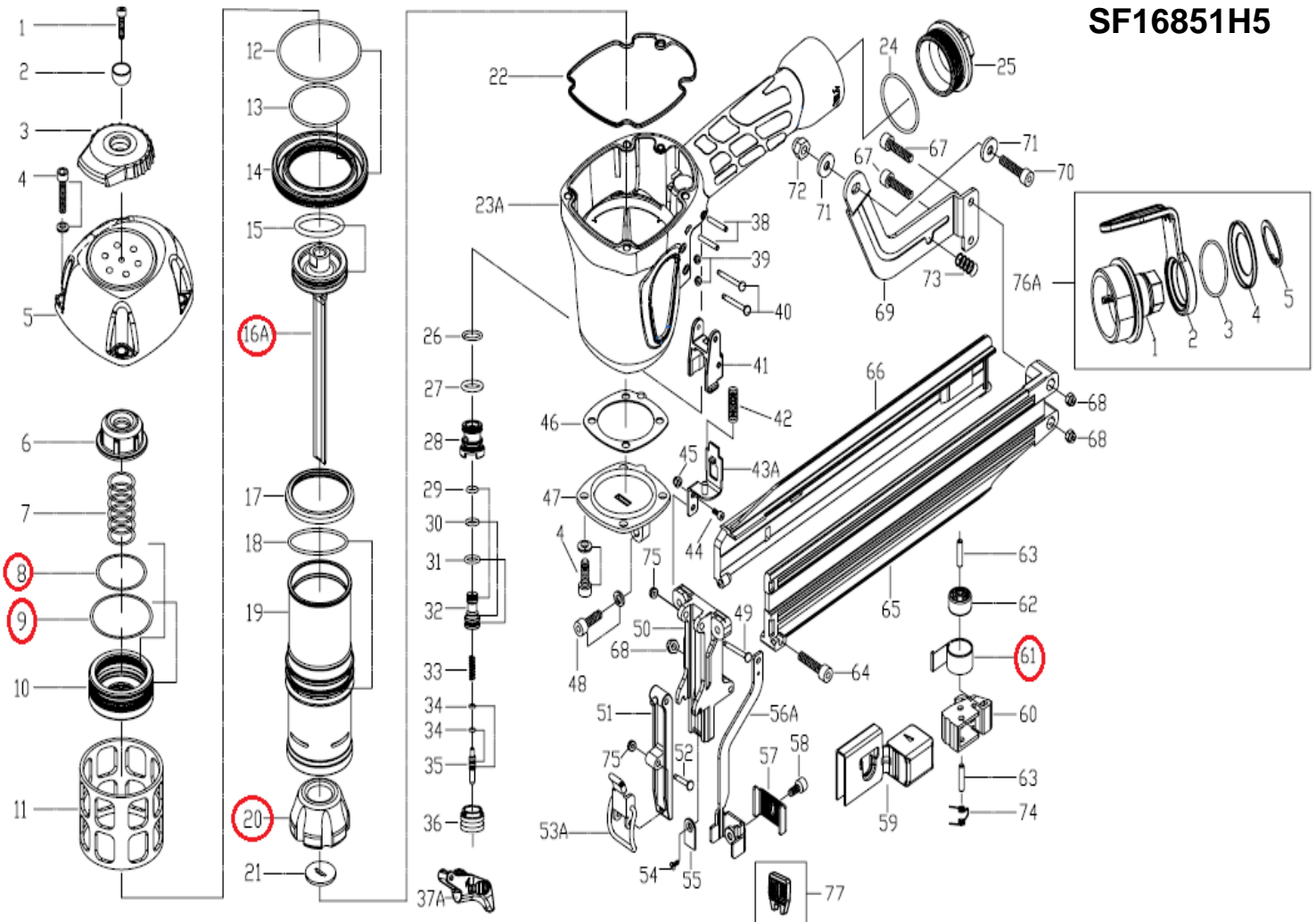


DESPIECE DE LA HERRAMIENTA

Usted encontrará con un círculo las piezas de desgaste recomendadas para mantener en stock.



08: O'ring 09: O'ring 16A: Lanceta 20: Tope 61: Empujador
 KIT: Un O'ring (08), un o'ring (09), una lanceta (16A), un tope (20) y un empujador (61)

Propiedad de: Implementos Neumáticos SA de CV
Prohibida la reproducción parcial o total

LISTA DE PARTES

CONFIDENCIAL

MODELO: SF16851H5

Item	Part No.	Description	Q'ty	P. Lista
1	SF16851H5-1	Hex.Soc.Hd.Bolt	1	17.30
2	SF16851H5-2	Deflector Bushing	1	29.52
3	SF16851H5-3	Deflector	1	41.73
4	SF16851H5-4	Hex.Soc.Hd.Bolt	8	16.71
5	SF16851H5-5	Cap	1	683.00
6	SF16851H5-6	Piston Stopper	1	110.95
7	SF16851H5-7	Spring	1	27.48
8	SF16851H5-8	O-Ring	1	29.52
9	SF16851H5-9	O-Ring	1	24.43
10	SF16851H5-10	Piston Head Valve	1	346.08
11	SF16851H5-11	Cylinder Hold Down	1	36.64
12	SF16851H5-12	O-Ring	1	36.64
13	SF16851H5-13	O-Ring	1	30.54
14	SF16851H5-14	Cylinder Spacer	1	231.06
15	SF16851H5-15	O-Ring	1	24.43
16A	SF16851H5-16A	Driver Assembly	1	1,096.26
17	SF16851H5-17	Cylinder Seal	1	55.98
18	SF16851H5-18	O-Ring	1	50.89
19	SF16851H5-19	Cylinder	1	763.41
20	SF16851H5-20	Bumper	1	221.90
21	SF16851H5-21	Driver Guide	1	16.71
22	SF16851H5-22	Cap Gasket	1	32.57
23A	SF16851H5-23A	Body Assembly	1	2,641.40
24	SF16851H5-24	O-Ring	1	24.43
25	SF16851H5-25	End Cap	1	145.56
26	SF16851H5-26	O-Ring	1	16.71
27	SF16851H5-27	O-Ring	1	16.71
28	SF16851H5-28	Valve	1	27.48
29	SF16851H5-29	O-Ring	1	16.71
30	SF16851H5-30	O-Ring	1	16.71
31	SF16851H5-31	O-Ring	1	16.71
32	SF16851H5-32	Valve Plunger	1	23.41
33	SF16851H5-33	Spring	1	16.71
34	SF16851H5-34	O-Ring	2	16.71
35	SF16851H5-35	Plunger	1	58.02
36	SF16851H5-36	Plunger Cap	1	44.79
37A	SF16851H5-37A	Trigger Assembly-Bump	1	159.81
38	SF16851H5-38	Spring Pin	2	16.71
39	SF16851H5-39	Grommet	2	16.71
40	SF16851H5-40	Trigger Pin	2	16.71
41	SF16851H5-41	Contact Trip Guide	1	28.50
42	SF16851H5-42	Safety Spring	1	16.71
43A	SF16851H5-43A	Upper Safety Lever Assy	1	131.31

Item	Part No.	Description	Q'ty	P. Lista
44	SF16851H5-44	Hex.Soc.Hd.Bolt	1	16.71
45	SF16851H5-45	Locknut	1	16.71
46	SF16851H5-46	Gasket	1	35.63
47	SF16851H5-47	Bottom	1	751.20
48	SF16851H5-48	Hex.Soc.Hd.Bolt	2	16.71
49	SF16851H5-49	Latch Door Pin	1	122.15
50	SF16851H5-50	Nose	1	933.40
51	SF16851H5-51	Door	1	359.31
52	SF16851H5-52	Roll Pin	1	89.57
53A	SF16851H5-53A	Latch Door Assembly	1	122.15
54	SF16851H5-54	Hex.Soc.Hd.Bolt	1	16.71
55	SF16851H5-55	Steel	1	268.72
56A	SF16851H5-56A	Lower Safety Lever Assy.	1	173.04
57	SF16851H5-57	Safety Cover	1	50.89
58	SF16851H5-58	Hex.Soc.Hd.Bolt	1	16.71
59	SF16851H5-59	Pusher	1	135.38
60	SF16851H5-60	Latch	1	16.71
61	SF16851H5-61	Spiral Spring	1	108.91
62	SF16851H5-62	Roller	1	16.71
63	SF16851H5-63	Roller Pin	2	18.32
64	SF16851H5-64	Hex.Soc.Hd.Bolt	1	21.38
65	SF16851H5-65	Magazine	1	394.94
66	SF16851H5-66	Magazine Cap	1	117.06
67	SF16851H5-67	Hex.Soc.Hd.Bolt	2	16.71
68	SF16851H5-68	Locknut	3	16.71
69	SF16851H5-69	Bracket	1	136.40
70	SF16851H5-70	Hex.Soc.Hd.Bolt	1	16.71
71	SF16851H5-71	Flat Washer	2	16.71
72	SF16851H5-72	Locknut	1	16.71
73	SF16851H5-73	Spring	1	16.71
74	SF16851H5-74	Spring	1	23.41
75	SF16851H5-75	O-Ring	1	16.71
76A	SF16851H5-76A	Belt Hook Assembly	1	337.94
76A-1	SF16851H5-76A-1	End Cap	1	201.54
76A-2	SF16851H5-76A-2	Belt Hook	1	70.23
76A-3	SF16851H5-76A-3	O-Ring	1	16.71
76A-4	SF16851H5-76A-4	Cover Belt Hook	1	35.63
76A-5	SF16851H5-76A-5	C-Ring	1	16.71
77	SF16851H5-77	Safety Adaptor	1	356.26
D	SF16851H5-D	Dirver Maintenance Kit	1	1,309.25
B	SF16851H5-B	Bumper Kit	1	1,088.01
O	SF16851H5-O	O-Ring Maintenance Kit	1	643.40

* Precios en moneda nacional