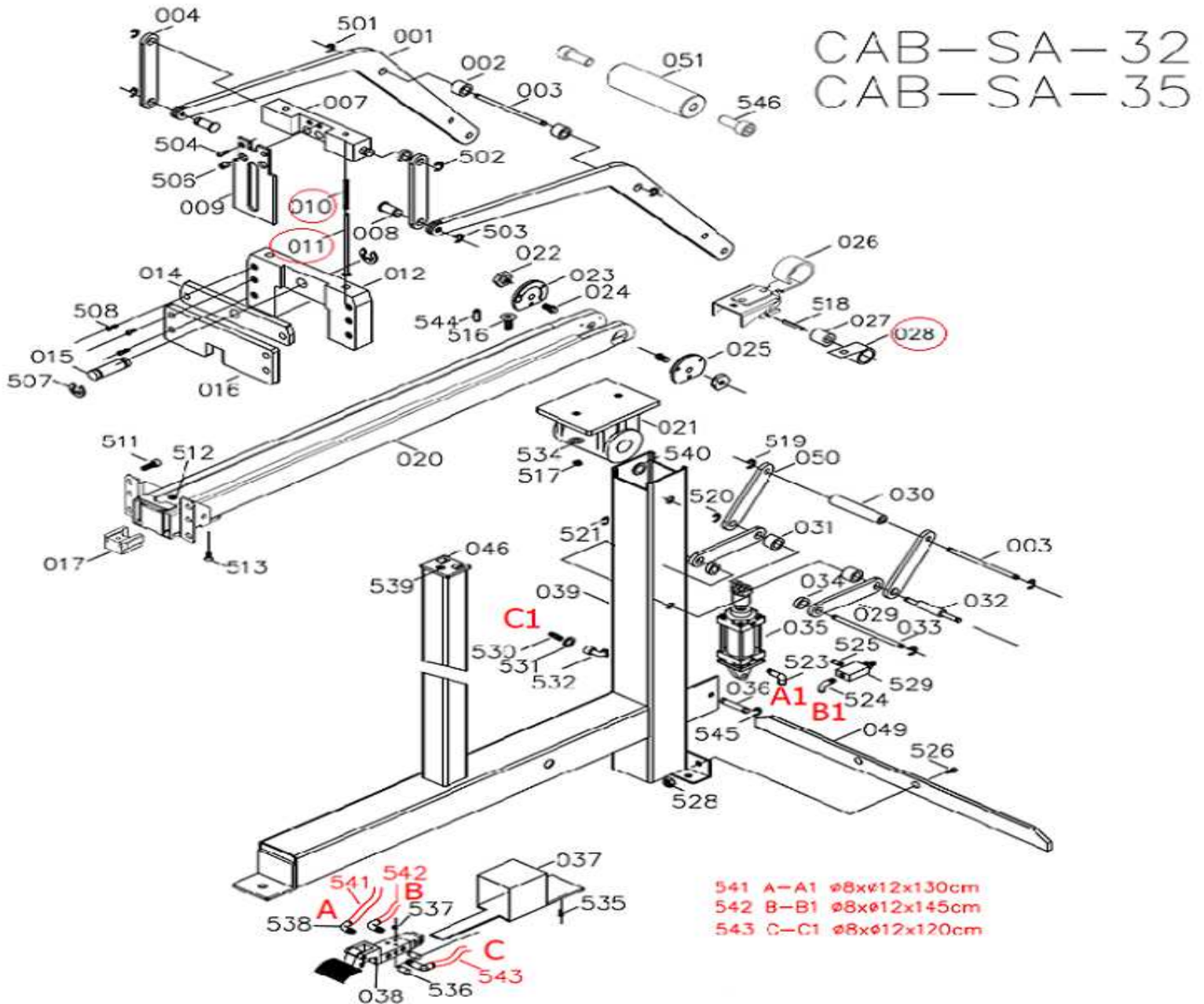


DESPIECE DE LA HERRAMIENTA

Usted encontrará con un círculo las piezas de desgaste recomendadas para mantener en stock.



028 Resorte empujador

011 Perno

010 Resorte

KIT: 1 resorte (028), 2 pernos (011) y 2 resortes (010)

Propiedad de: Implementos Neumáticos SA de CV
Prohibida la reproducción parcial o total

LISTA DE PARTES
MODELO: CAB

CONFIDENCIAL

Item	Part No.	Description	Q'ty	Specificati	P. Lista
001	A00600104	LINK 1	2		1,243.34
002	A00603401	TUBE	2		93.22
003	A00603201	SHAFT E	2		149.15
004	A00600401	LINK 2	2		61.76
007	A00600703	DRIVER SEAT	1		708.48
008	A00600801	SHAFT C	2		130.51
009	A00600904	DRIVER	1	35	372.89
009	A00600905	DRIVER	1	32	372.89
009	A00600906	DRIVER	1	34	372.89
010	A00601002	SPRING	2		37.29
011	A00601103@	SPRING SHAFT	2		177.12
012	A00601208	MAGAZINE SEAT	1	35	1,989.12
012	A00601203	MAGAZINE SEAT	1	32	1,406.48
012	A00601204	MAGAZINE SEAT	1	34	1,406.48
014	A00601405	COVER B	1	35	372.89
014	A00601403	COVER B	1	32	372.89
014	A00601404	COVER B	1	34	372.89
015	A00601502	SHAFT D	1		124.68
016	A00601605	COVER A	1	35	396.19
016	A00601603	COVER A	1	32	396.19
016	A00601604	COVER A	1	34	396.19
017	A00607501	BRACKET	1		201.59
020	CMB-S-35-P3-SA	MAGAZINE UNIT	1	35	3,189.34
020	CMB-S-32-P3-SA	MAGAZINE UNIT	1	32	3,189.34
021	A00602101	BRACKET	1		614.10
022	A00607101	NUT	2		48.94
023	A00103903@	RIGHT PUSHER GUIDE	1		64.09
024	A00103203	ROD	2		48.94
025	A00103904@	LEFT PUSHER GUIDE	1		64.09
026	A00103709@	PUSHER SET	1	35	412.51
026	A00103710@	PUSHER SET	1	32	412.51
027	A00103501	ROLLER	1		40.78
028	A00602801	SPRING	1		223.73
029	A00602901	LINK 3	4		139.83
030	A00603002	TUBE	1		233.05
031	A00700704	TUBE	2		186.44
032	A00700206	SHAFT K	1		149.15
033	A00603302	SHAFT F	1		130.51
034	A00603402	TUBE	2		65.26
035	BAI0104A	CYLINDER SET	1	φ80, S=75	8,323.52
036	A00700601	SHAFT M	1		221.40
037	A00700302@	SWITCH COVER UN	1		1,203.72
038	BAI0302	SWITCH	1		2,330.54

Item	Part No.	Description	Q'ty	Specificati	P. Lista
039	A00603905@	BODY SET	1		9,590.17
046	A00604607	MOLD	1	35 , 34 ,9040 ,	279.66
049	A00604901	BALANCER	1		757.43
050	A00602903	LINK 3-C	1		139.83
051	A00608201	SHAFT	1		311.13
504	BAC0604102	HEX.SOC.HD.BOLT	2	M4 x 0.7-10	19.13
506	BAA060016	SPRING PIN	2	ψ6-16	19.13
507	BAF10602	E-RING	2	ψ6	19.13
508	BAC0605102	HEX.SOC.HD.BOLT	6	M5 x 0.8-18	19.13
511	BAC0605082	HEX.SOC.HD.BOLT	6	M5 x 0.8-8	19.13
512	BAD01041	LOCK NUT	1	M4 x 0.7	19.13
513	BAC0204222	HEX.SOC.FLAT CO	1	M4 x 0.7-22	19.13
516	BAC0205162	HEX.SOC.FLAT CO	2	M5 x 0.8-16	19.13
517	BAD02051	LOCK NUT	2	M5 x 0.8	19.13
518	BAA040016	SPRING PIN	1	ψ4-16	19.13
519	BAF11002	E-RING	2	ψ10	19.13
520	BAF11002	E-RING	2	ψ10	19.13
521	BAF11002	E-RING	2	ψ10	19.13
523	BAI0703	PU PLUG	1	3/8" x φ12-9	69.92
524	BAI0703	PU PLUG	1	3/8" x φ12-9	69.92
525	BAI1002	DOUBLE SCREW TU	1	3/8"X3/8"	89.73
526	BAC0408202	HEX.SOC.HD.BOLT	2	M8 x 1.25-20	19.13
528	BAD01081	LOCK NUT	2	M8 x 1.25	19.13
529	BAI1102	QUICK EXHAUST	1	3/8"	1,153.62
530	A00100801	AIR PLUG	1	Japanese Typ	62.92
530	A00100802	AIR PLUG	1	U.S.A. Type	62.92
530	A00100803	AIR PLUG	1	European Typ	62.92
531	BAE01122	SPRING WASHER	1	φ12	19.13
532	BAI1203	PU PLUG	1	THREAD 1/4" x	271.51
534	BAE01052	WASHER	2	φ5	19.13
535	BAC050012	FLAT HEAD SCREW	3	3/16" UNC	19.13
536	BAI0503	DEFLECTOR	2	3/8"	74.58
537	BAD03012	NUT	3	3/16" NUC	19.13
538	BAI0703	PU PLUG	3	3/8" x φ12-9	69.92
539	BAC0904082	HEX.SOC.FLAT CO	1	M4 x 0.7-0.8	19.13
540	BAE03142	WAVE WASHER	2	φ14.5 xφ21	19.13
541	BAI0803	TUBE	1	ψ5 xψ8x130 C	427.65
542	BAI0804	TUBE	1	ψ5 xψ8x145C	466.11
543	BAI0805	TUBE	1	ψ5 xψ8x120C	504.56
544	BAA040008	SPRING PIN	4	φ4 x 8	19.13
545	BAF11502	E-RING	2	ψ15	19.13
546	BAC0608202	HEX.SOC.HD.BOLT	2	M8 x 1.25-20	19.13

* Precios en moneda nacional